

Hydraulic Rock Breaker

Engineered for
Excellent Performance
and Reliability

Introduction



FleetPro™ Rock Breaker offers strong, reliable and high-productivity performance for loader backhoes.



A wide range of tools are available for different construction and demolition applications.



CNH-engineered mounting kits and accessories ensure perfect fit and efficiency.



The CNH dealer network offer support with parts, service and technical support.



Installation and training support are provided by the CNH after-sales team.

Powerful | Durable | Easy Maintenance

Features

Robust & Durable Construction

Built with high-strength materials for superior durability and extended service life in demanding conditions.

Stable & Reliable Performance

Advanced sealing system reduces hydraulic leakage and minimizes breakdowns for consistent operation.

Low Maintenance, High Uptime

Premium components ensure less frequent servicing, reducing downtime and operating costs.

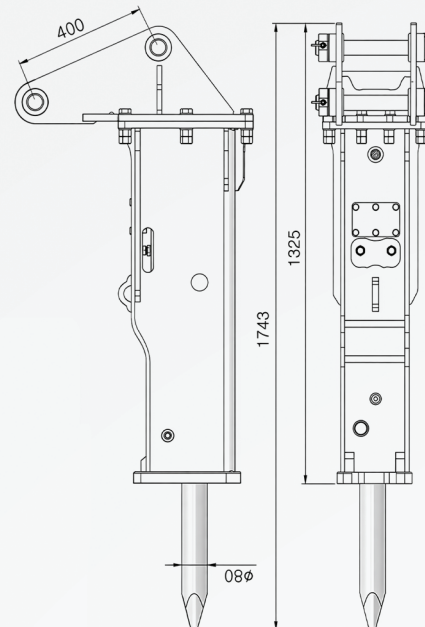
80mm Tool Diameter (Best-in-Class Impact)

Delivers higher impact energy for faster and more efficient breaking performance.

Box-Type Design (Low Noise Operation)

Designed for reduced noise levels, ensuring operator comfort and suitability for urban job sites.

Specification	EB70
Operating Weight (kg)	413
Total Length (mm)	1743
Operating Pressure (kg/cm ²)	120 - 150
Oil Flow (L/min)	50 - 90
Impact Frequency (BPM)	400 - 800
Tool Diameter (mm)	80
Relief Pressure (kg/cm ²)	160-180
Suitable Carrier (Ton)	6 - 9



	Type	Code	Application
1	Moil Point	M	Multiple Purpose
2	Conical Point	C	Multiple Purpose
3	H-Wedge	H	Trenching, Asphalt, Concrete
4	V-Wedge	V	Trenching, Asphalt, Concrete
5	Blunt	B	Boulders, Concrete

