



CASE
CONSTRUCTION

G-SERIES EVOLUTION WHEEL LOADERS



NEW

521G | 621G | 651G | 721G | 821G | 921G | 1021G | 1121G

MACHINE SPECIFICATIONS

521G - 921G

Table 1/2

SPECIFICATIONS		521G	621G	651G	721G	821G	921G
ENGINE							
Maker & Model		FTP N45	FTP N67	FTP N67	FPT N67	FPT N67	FPT N67
No. of cylinders		4	6	6	6	6	6
Displacement	l	4.5	6.7	6.7	6.7	6.7	6.7
Air intake:	Turbocharger with air-to-air cooling. No EGR valve is used. Only fresh air is taken for combustion and no extra cooling system is needed.						
Injection	Common Rail Multiple Injection.						
After Treatment System	HI-eSCR 2 (DOC+SCRoF)						
Emissions Level	Compliant with EU Stage V						
Maximum power (Peak Gross/Peak Net)	kW	106/99	128/121	128/121	145	172	190
Maximum power (Peak Gross/Peak net)	hp	142/133	172/162	172/162	195	230	255
@ Engine speed (ISO 14396)	rpm	1800	1800	1800	2000	1800	1600
Maximum Torque (Gross/Net)	Nm	612/586	730/692	730/692	950	1184	1300
@ Engine speed (ISO 14396)	rpm	1600	1600	1600	1300	1300	1300
TRANSMISSION							
ProShift: 5-speed powershift with lock up (optional). Lock up clutch eliminates torque converter losses from second gear up to fifth gear. Intelligent Clutch Cut Off (ICCO) with Power Inch: Proportional declutching.							
• Forward 1	km/h	-	7	7	7	7	6
• Forward 2	km/h	-	13	13	13	11	11
• Forward 3	km/h	-	20	20	19	17	17
• Forward 4	km/h	-	31	31	30	26	26
• Forward 5	km/h	-	45	45	40	40	40
• Reverse 1	km/h	-	7	7	8	7	7
• Reverse 2	km/h	-	14	14	14	12	12
• Reverse 3	km/h	-	32	32	31	28	28
4-speed ZF Powershift with Intelligent Clutch Cut Off (ICCO)							
• Forward 1	km/h	6	7	7	8	7	7
• Forward 2	km/h	11	13	13	13	12	12
• Forward 3	km/h	22	24	24	25	23	23
• Forward 4	km/h	36	39	39	37	37	36
• Reverse 1	km/h	6	7	7	8	7	7
• Reverse 2	km/h	12	14	14	13	13	13
• Reverse 3	km/h	23	25	25	26	25	25
AXLES (available options)							
Heavy Duty ZF Axles with Limited Slip Differential on both front and rear axle		n.a.	yes	yes	yes	yes	n.a.
Heavy Duty ZF Axles with automatic 100% differential lock on front and open		yes	yes	yes	yes	yes	yes
Heavy Duty ZF Axles with automatic 100% differential lock on front and LSD on rear axle		n.a.	yes	yes	yes	yes	n.a.
Standard ZF Axles with Limited Slip Differential on both front and rear axle		yes	yes	n.a.	n.a.	n.a.	n.a.
Axles oscillation angle (total)	°	24	24	24	24	24	24
TIRES							
Standard tire's size		17.5R25	20.5R25	20.5R25	20.5R25	23.5R25	23.5R25

MACHINE SPECIFICATIONS

521G - 921G

Table 2/2

SPECIFICATIONS		521G	621G	651G	721G	821G	921G
BRAKES							
Service brake		Maintenance free, self-adjusting wet 4-wheel disc brakes.					
Service brake disc area	m ² /hub	0.31	0.39	0.39	0.39	0.39	0.47
Parking brake		With the negative brake all four wheels are automatically stopped when the engine is stopped.					
Parking brake disc area	cm ²	58	58	58	82	82	82
HYDRAULICS							
Loader control valve		Bosch-Rexroth, closed center, load sensing/flow sharing.					
Steering		Steering cylinders actuated by hydraulic orbitrol under priority valve, controlled, in turn, by active load sensing signal.					
Loader controls		Pilot with proportional solenoid valves controlled by electro-hydraulic single joystick or single-axis 2/3 levers.					
Pump type		Single, variable displacement				Tandem, variable displacement	
Max oil flow	l/min	134	169	190	206	236	278
@ engine speed	rpm	2000	2000	2000	2000	2000	2000
AUXILIARY HYDRAULICS							
Max oil flow	l/min	134	169	188	206	236	278
Max pressure	bar	249-255	249-255	249-255	249-255	249-255	249-255
FLUIDS CAPACITIES							
Fuel tank	l	189	248	248	246	288	288
DEF (AdBlue®) tank	l	41.3	41.3	41.3	41.3	41.3	41.3
Engine coolant	l	22	27	27	28	30	30
Engine oil	l	12	13	13	13	13	13
Hydraulic oil tank	l	57	91	91	91	91	91
Total hydraulic system oil	l	114	148	148	180	180	200
Front and rear axles	l	22+22	22+22	22+22	35+35	40+40	42+40
Transmission oil	l	19	27	27	34	34	34
CAB PROTECTION							
Protection against falling objects (FOPS)		According to ISO EN 3449 std.					
Protection against roll-over (ROPS)		According to ISO EN 13510 std.					
NOISE AND VIBRATIONS							
Inside the cab - LpA (ISO 6396-2008)	dB	68	68	68	68	68	69
Outside - LwA (2000/14/EC)	dB	102	104	104	103	104	104
Vibrations		Operator's seat meets the criteria of ISO 7096:2000. The vibrations transmitted do not exceed 0.5 m/s ²					
ELECTRICAL SYSTEM							
System voltage	V	24	24	24	24	24	24
Batteries	n° x V	2 x 12	2 x 12	2 x 12	2 x 12	2 x 12	2 x 12
Alternator - capacity	A	70	120	120	120	120	120

MACHINE SPECIFICATIONS

1021G - 1121G

Table 1/2

SPECIFICATIONS		1021G	1121G
ENGINE			
Maker & Model:		FTP Cursor 9	FTP Cursor 9
No. of cylinders:		6	6
Displacement	l	8.7	8.7
Air intake:		Turbocharger with air-to-air cooling. No EGR valve is used. Only fresh air is taken for combustion and no extra cooling system is needed.	
Injection		Common Rail Multiple Injection.	
After Treatment System		HI-eSCR 2 (DOC+SCRoF)	
Emissions Level		Compliant with EU Stage V	
Maximum power	kW	239	250
Maximum power	hp	320	347
@ Engine speed (ISO 14396)	rpm	1800	1800
Maximum Torque	Nm	1479	1604
@ Engine speed (ISO 14396)	rpm	1100	1100
TRANSMISSION			
4-speed ZF Powershift with Intelligent Clutch Cut Off (ICCO)			
• Forward 1	km/h	7	7
• Forward 2	km/h	13	12
• Forward 3	km/h	19	18
• Forward 4	km/h	38	38
• Reverse 1	km/h	7	7
• Reverse 2	km/h	13	13
• Reverse 3	km/h	27	25
AXLES			
Rear axle oscillation		24°	
Heavy Duty ZF Axles		with open differentials and automatic 100% lock system on the front differential. 100% tractive effort always, no wheel slip, less tire wear.	
TIRES			
Standard tire's size		26.5R25	26.5R25
BRAKES			
Service brake		Maintenance free, self-adjusting wet 4-wheel disc brakes.	
Service brake disc area	m ² /hub	0.74	0.74
Parking brake		With the negative brake all four wheels are automatically stopped when the engine is stopped.	
Parking brake disc area	cm ²	82	82

MACHINE SPECIFICATIONS

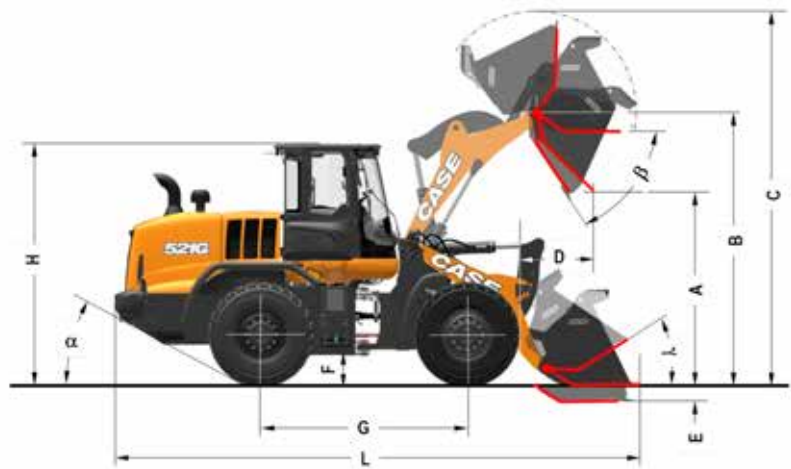
1021G - 1121G

Table 2/2

SPECIFICATIONS		1021G	1121G
HYDRAULICS			
Loader control valve:		Bosch-Rexroth, closed center, load sensing/flow sharing. 3 spool main control valve.	
Steering		Steering cylinders actuated by hydraulic orbitrol under priority valve, controlled, in turn, by active load sensing signal.	
Loader controls		Pilot with proportional solenoid valves controlled by electro-hydraulic single joystick or single-axis 2/3 levers.	
Pump type		Tandem, variable displacement	
Max oil flow	l/min	348	376
@ engine speed	rpm	2000	2000
AUXILIARY HYDRAULICS			
Max oil flow	l/min	240	240
Max pressure	bar	249-255	249-255
FLUIDS CAPACITIES			
Fuel tank	l	459	288
DEF (AdBlue®) tank	l	65	65
Engine coolant	l	57	57
Engine oil	l	26	26
Hydraulic oil tank	l	134	134
Total hydraulic system oil	l	250	250
Front and rear axles	l	68+68	68+68
Transmission oil	l	45	45
CAB PROTECTION			
Protection against falling objects (FOPS)		According to ISO EN 3449 std.	
Protection against roll-over (ROPS)		According to ISO EN 13510 std.	
NOISE AND VIBRATIONS			
Inside the cab - LpA (ISO 6396-2008)	dB	68	69
Outside - LwA (2000/14/EC)	dB	105	104
Vibrations		Operator's seat meets the criteria of ISO 7096:2000. The vibrations transmitted do not exceed 0.5 m/s ²	
ELECTRICAL SYSTEM			
System voltage	V	24	24
Batteries	n° x V	2 x 12	2 x 12
Alternator - capacity	A	120	120

LOADER SPECIFICATIONS

BUCKETS, Z-BAR & XR - 521G



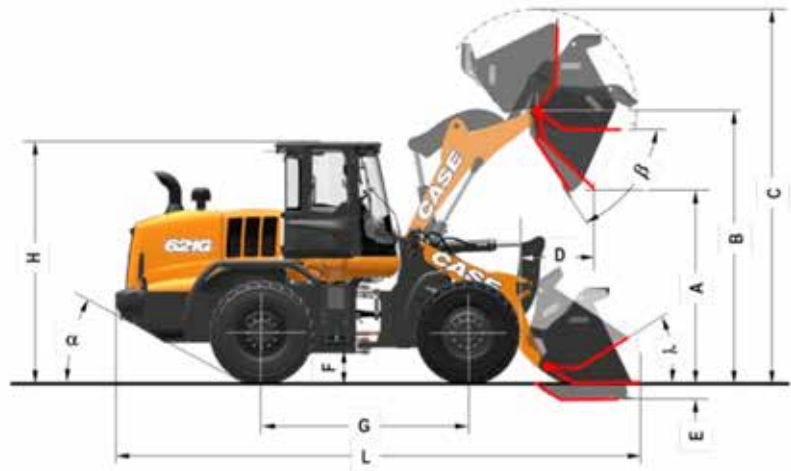
DIMENSION - Data with factory-fitted buckets		G.P. PIN-ON				G.P. QUICK COUPLER			
		Z-Bar		XR		Z-Bar		XR	
Bucket accessory		B.O.E.	Teeth	B.O.E.	Teeth	B.O.E.	Teeth	B.O.E.	Teeth
Bucket Rated Capacity:	m ³	2.1	2	1.9	1.8	1.8	1.7	1.8	1.7
Bucket Capacity at 110% Fill Factor	m ³	2.3	2.2	2.1	2	2	1.9	2	1.9
Bucket overall width	mm	2497	2540	2497	2540	2497	2540	2497	2540
Bucket weight	kg	847	794	813	759	1052	998	1052	998
A Dump height at 45° @ full boom height	mm	2612	2548	3040	2979	2482	2412	2922	2856
B Bucket hinge pin height	mm	3605	3605	3985	3985	3605	3605	3985	3985
C Overall height	mm	4743	4743	5061	5061	4740	4740	5120	5120
D Bucket reach, 45° dump @ full boom height	mm	1114	1188	1044	1121	1069	1135	1127	1199
E Digging depth	mm	83	85	108	108	102	105	137	140
F Ground clearance	mm	341	341	341	341	341	341	341	341
G Wheel base	mm	2750	2750	2750	2750	2750	2750	2750	2750
H Cab roof height	mm	3275	3275	3275	3275	3275	3275	3275	3275
W Overall vehicle width (without bucket)	mm	2448	2448	2448	2448	2448	2448	2448	2448
L Overall length on ground (with bucket)	mm	6838	6937	7111	7207	6930	7030	7272	7371
alpha Departure angle	°	30	30	30	30	30	30	30	30
R2 Turning radius (at outer wheel)	mm	5002	5002	5002	5002	5002	5002	5002	5002
R1 Turning radius (at bucket corner, max reach)	mm	5524	5573	5667	5717	5523	5570	5688	5737
delta Full steering angle	°	±40	±40°	±40	±40	±40	±40	±40	±40
gamma Bucket rollback angle @ boom carry position	°	44	44	46	46	50	50	51	51
beta Bucket dump angle @ maximum boom height	°	55	55	51	51	45	45	40	40
LOADER PERFORMANCE									
Bucket accessory		B.O.E.	Teeth	B.O.E.	Teeth	B.O.E.	Teeth	B.O.E.	Teeth
Machine operating weight (w/17.5R25 L3 tires)	kg	11098	11045	11192	11138	11303	11250	11431	11377
Tipping load, straight	kg	8758	8827	7560	7627	8418	8570	7184	7314
Tipping load, full turn	kg	7673	7743	6601	6668	7354	7496	6246	6367
Maximum payload	kg	3837	3871	3301	3334	3677	3748	3123	3183
Maximum material density	kg/m ³	1827	1955	1756	1873	2104	2256	1787	1917
Bucket break-out force	daN	7455	8183	7976	8797	7155	7518	6883	7515
CYCLE TIMES									
Lift (full load)	sec	5.4		5.4		5.4		5.4	
Dump (full load)	sec	1.2		2.4		1.2		2.4	
Lowering (empty, float down)	sec	3.9		3.9		3.9		3.9	

All units equipped with std.* L3 Radial Tires (Unless Noted), ROPS cab with Heater and A/C, Heavy Counterweight, Front and Rear Fenders, Full Fuel and DEF tanks, 75 kg operator. Specifications per ISO 14397, ISO 5998 AND ISO 7546.

* STD Tires size per model: 521G: 17.5R25 | 621G-651G-721G: 20.5R25 | 821G-921G: 23.5R25 | 1021G-1121G: 26.5R25

LOADER SPECIFICATIONS

BUCKETS, Z-BAR & XR - 621G



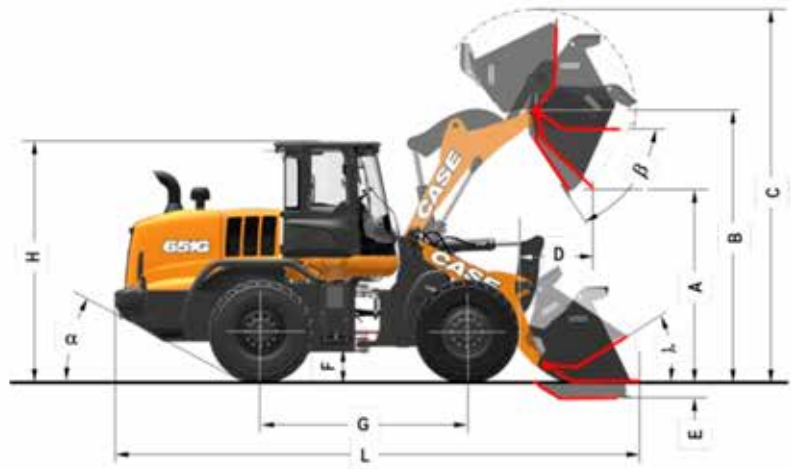
DIMENSION - Data with factory-fitted buckets		G.P. PIN-ON				G.P. QUICK COUPLER			
		Z-Bar		XR		Z-Bar		XR	
Bucket accessory		B.O.E.	Teeth	B.O.E.	Teeth	B.O.E.	Teeth	B.O.E.	Teeth
Bucket Rated Capacity:	m ³	2.3	2.2	2.3	2.2	2	1.9	2	1.9
Bucket Capacity at 110% Fill Factor	m ³	2.5	2.4	2.5	2.4	2.2	2.1	2.2	2.1
Bucket overall width	mm	2497	2540	2497	2540	2497	2540	2497	2540
Bucket weight	kg	924	871	924	871	1377	1323	1377	1323
A Dump height at 45° @ full boom height	mm	2745	2682	3273	3179	2697	2628	3216	3154
B Bucket hinge pin height	mm	3833	3833	4258	4258	3832	3832	4256	4256
C Overall height	mm	5044	5044	5469	5469	5051	5051	5476	5476
D Bucket reach, 45° dump @ full boom height	mm	1073	1147	1074	1148	1104	1181	1213	1296
E Digging depth	mm	86	87	90	92	87	90	92	95
F Ground clearance	mm	389	389	389	389	389	389	389	389
G Wheel base	mm	2900	2900	2900	2900	2900	2900	2900	2900
H Cab roof height	mm	3384	3384	3384	3384	3384	3384	3384	3384
W Overall vehicle width (without bucket)	mm	2478	2478	2478	2478	2478	2478	2478	2478
L Overall length on ground (with bucket)	mm	7469	7567	7877	7976	7527	7633	7935	8041
alpha Departure angle	°	25	25	25	25	25	25	25	25
R2 Turning radius (at outer wheel)	mm	5223	5223	5223	5223	5223	5223	5223	5223
R1 Turning radius (at bucket corner, max reach)	mm	5758	5807	5961	6014	5744	5792	5940	5992
delta Full steering angle	°	±40	±40	±40	±40	±40	±40	±40	±40
gamma Bucket rollback angle @ boom carry position	°	45	45	45	45	50	50	51	51
beta Bucket dump angle @ maximum boom height	°	51	51	45	45	41	41	35	35
LOADER PERFORMANCE									
Bucket accessory		B.O.E.	Teeth	B.O.E.	Teeth	B.O.E.	Teeth	B.O.E.	Teeth
Machine operating weight (w/L3 tires)	kg	12878	12824	13059	13006	13330	13277	13512	13548
Tipping load, straight	kg	10662	10740	8957	9026	10134	10296	8464	8598
Tipping load, full turn	kg	9248	9319	7729	7798	8737	8886	7249	7372
Maximum payload	kg	4724	4659	3960	4003	4369	4443	3624	3686
Maximum material density	kg/m ³	2011	2109	1681	1765	2148	2297	1782	1906
Bucket break-out force	daN	9907	10765	11672	12427	9268	9982	9295	10007
CYCLE TIMES									
Lift (full load)	sec	6.3		6.3		6.3		6.3	
Dump (full load)	sec	1.2		1.2		1.2		1.2	
Lowering (empty, float down)	sec	4.8		4.8		4.8		4.8	

All units equipped with std.* L3 Radial Tires (Unless Noted), ROPS cab with Heater and A/C, Heavy Counterweight, Front and Rear Fenders, Full Fuel and DEF tanks, 75 kg operator. Specifications per ISO 14397, ISO 5998 AND ISO 7546.

* STD Tires size per model: 521G: 17.5R25 | 621G-651G-721G: 20.5R25 | 821G-921G: 23.5R25 | 1021G-1121G: 26.5R25

LOADER SPECIFICATIONS

BUCKETS, Z-BAR & XR - 651G



DIMENSION - Data with factory-fitted buckets	G.P. PIN-ON				G.P QUICK COUPLER				REHANDL	
		Z-Bar		XR		Z-Bar		XR		Z-Bar
Bucket accessory		B.O.E.	Teeth	B.O.E.	Teeth	B.O.E.	Teeth	B.O.E.	Teeth	B.O.E.
Bucket Rated Capacity:	m ³	2.3	2.2	2.3	2.2	2	1.9	2	1.9	2.6
Bucket Capacity at 110% Fill Factor	m ³	2.5	2.4	2.5	2.4	2.2	2	2.2	2	2.9
Bucket overall width	mm	2497	2540	2497	2540	2497	2540	2497	2540	2540
Bucket weight	kg	924	871	924	871	1377	1323	1377	1323	1087
A Dump height at 45° @ full boom height	mm	2850	2786	3331	3272	2860	2795	3386	3329	2821
B Bucket hinge pin height	mm	3938	3938	4363	4363	3936	3937	4361	4361	3938
C Overall height	mm	5149	5149	5574	5574	5156	5156	5580	5580	5362
D Bucket reach, 45° dump @ full boom height	mm	953	1026	993	1070	1053	1134	1128	1215	896
E Digging depth	mm	62	63	61	62	64	67	62	65	72
F Ground clearance	mm	389	389	389	389	389	389	389	389	389
G Wheel base	mm	2900	2900	2900	2900	2900	2900	2900	2900	2900
H Cab roof height	mm	3384	3384	3384	3384	3384	3384	3384	3384	3384
W Overall vehicle width (without bucket)	mm	2478	2478	2478	2478	2478	2478	2478	2478	2478
L Overall length on ground (with bucket)	mm	7472	7570	7880	7978	7530	7636	7938	8043	7466
α Departure angle	°	25	25	25	25	25	25	25	25	25
R2 Turning radius (at outer wheel)	mm	5223	5223	5223	5223	5223	5223	5223	5223	5223
R1 Turning radius (at bucket corner, max reach)	mm	5758	5807	5961	6014	5744	5792	5940	5992	5764
δ Full steering angle	°	±40	±40	±40	±40	±40	±40	±40	±40	±40
γ Bucket rollback angle @ boom carry position	°	45	45	45	45	50	50	51	51	43
β Bucket dump angle @ maximum boom height	°	47	47	41	41	37	37	31	31	42
LOADER PERFORMANCE										
Bucket accessory		B.O.E.	Teeth	B.O.E.	Teeth	B.O.E.	Teeth	B.O.E.	Teeth	B.O.E.
Machine operating weight (w/L3 tires)	kg	14062	14009	14244	14190	14515	14461	14696	14643	14225
Tipping load, straight	kg	11943	12014	10171	10140	11400	11573	9568	9710	11722
Tipping load, full turn	kg	10340	10411	8680	8748	9816	9974	8189	320	10128
Maximum payload	kg	5170	5205	4340	4374	4908	4987	4095	4160	5064
Maximum material density	kg/m ³	2248	2356	1887	1980	2414	2579	1832	1958	1948
Bucket break-out force	daN	9909	10766	10188	11066	9265	9978	9290		9217
CYCLE TIMES										
Lift (full load)	sec	5.5		5.5		5.5		5.5		5.5
Dump (full load)	sec	1.1		1.1		1.1		1.1		1.1
Lowering (empty, float down)	sec	4.3		4.3		4.3		4.3		4.3

All units equipped with std.* L3 Radial Tires (Unless Noted), ROPS cab with Heater and A/C, Heavy Counterweight, Front and Rear Fenders, Full Fuel and DEF tanks, 75 kg operator. Specifications per ISO 14397, ISO 5998 AND ISO 7546.

* STD Tires size per model: 521G: 17.5R25 | 621G-651G-721G: 20.5R25 | 821G-921G: 23.5R25 | 1021G-1121G: 26.5R25

LOADER SPECIFICATIONS

BUCKETS, Z-BAR & XR - 721G

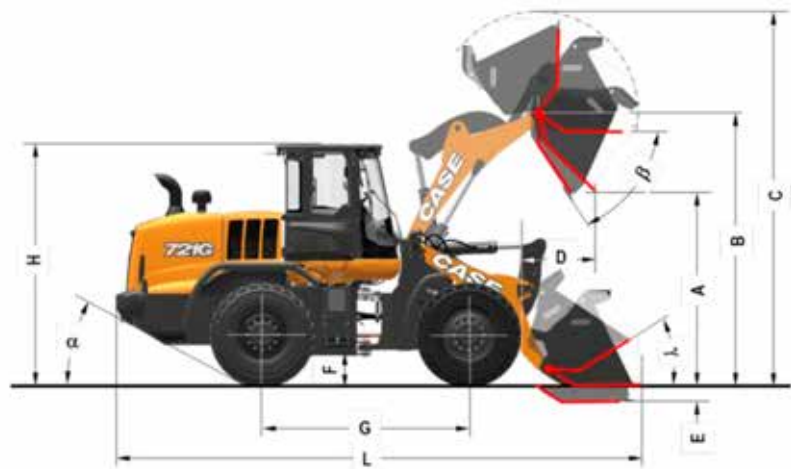


Table 1/2

DIMENSION - Data with factory-fitted buckets		G.P. PIN-ON							
Bucket accessory		Z-Bar		Z-Bar		XR		XR	
		B.O.E.	Teeth	B.O.E.	Teeth	B.O.E.	Teeth	B.O.E.	Teeth
Bucket Rated Capacity:	m ³	2.7	2.6	3	2.9	2.5	2.4	2.7	2.6
Bucket Capacity at 110% Fill Factor	m ³	3	2.9	3.3	3.2	2.7	2.6	3	2.9
Bucket overall width	mm	2712	2726	2740	2740	2494	2510	2712	2726
Bucket weight	kg	1221	1202	1410	1356	1155	1134	1221	1202
A Dump height at 45° @ full boom height	mm	3031	2932	2883	2782	3429	3330	3429	3330
B Bucket hinge pin height	mm	4079	4079	4079	4079	4477	4477	4477	4477
C Overall height	mm	5429	5429	5613	5613	5827	5827	5827	5827
D Bucket reach, 45° dump @ full boom height	mm	1015	1111	1074	1166	990	1086	990	1086
E Digging depth	mm	52	66	67	80	48	62	48	62
F Ground clearance	mm	384	384	384	384	384	384	384	384
G Wheel base	mm	3253	3253	3253	3253	3253	3253	3253	3253
H Cab roof height	mm	3378	3378	3378	3378	3378	3378	3378	3378
W Overall vehicle width (without bucket)	mm	2558	2558	2558	2558	2558	2558	2558	2558
L Overall length on ground (with bucket)	mm	7661	7809	7826	7973	8019	8165	8019	8165
alpha Departure angle	°	29	29	29	29	29	29	29	29
R2 Turning radius (at outer wheel)	mm	5748	5748	5748	5748	5748	5748	5748	5748
R1 Turning radius (at bucket corner, max reach)	mm	6324	6373	6373	6418	6398	6455	6495	6551
delta Full steering angle	°	±40	±40	±40	±40	±40	±40	±40	±40
gamma Bucket rollback angle @ boom carry position	°	44	44	42	42	43	43	43	43
beta Bucket dump angle @ max boom height	°	47	47	42	42	47	47	47	47
LOADER PERFORMANCE									
Bucket accessory		B.O.E.	Teeth	B.O.E.	Teeth	B.O.E.	Teeth	B.O.E.	Teeth
Machine operating weight (w/L3 tires)	kg	15642	15623	15831	15777	15779	15757	15845	15826
Tipping load, straight	kg	13686	13711	12923	12993	11612	11640	11542	11566
Tipping load, full turn	kg	11467	11492	10802	10872	8897	9784	9651	9675
Maximum payload	kg	5734	5746	5401	5436	4860	4874	4825	4837
Maximum material density	kg/m ³	2093	2185	1802	1824	1929	2040	1761	1840
Bucket break-out force	daN	14321	15409	11671	10699	14315	15406	142772	15370
CYCLE TIMES									
Lift (full load)	sec	5.2		5.2		5.2		5.2	
Dump (full load)	sec	1.2		1.2		1.2		1.2	
Lowering (empty, float down)	sec	2.4		2.4		2.4		2.4	

All units equipped with std.* L3 Radial Tires (Unless Noted), ROPS cab with Heater and A/C, Heavy Counterweight, Front and Rear Fenders, Full Fuel and DEF tanks, 75 kg operator. Specifications per ISO 14397, ISO 5998 AND ISO 7546.

* STD Tires size per model: 521G: 17.5R25 | 621G-651G-721G: 20.5R25 | 821G-921G: 23.5R25 | 1021G-1121G: 26.5R25

LOADER SPECIFICATIONS

BUCKETS, Z-BAR & XR - 721G

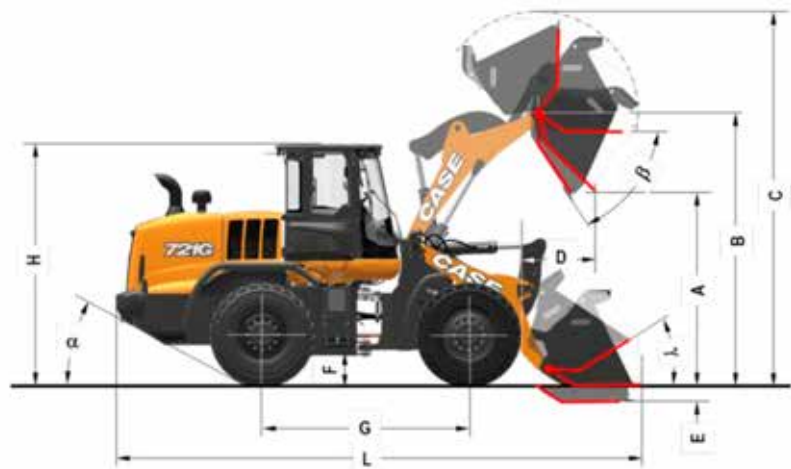


Table 2/2



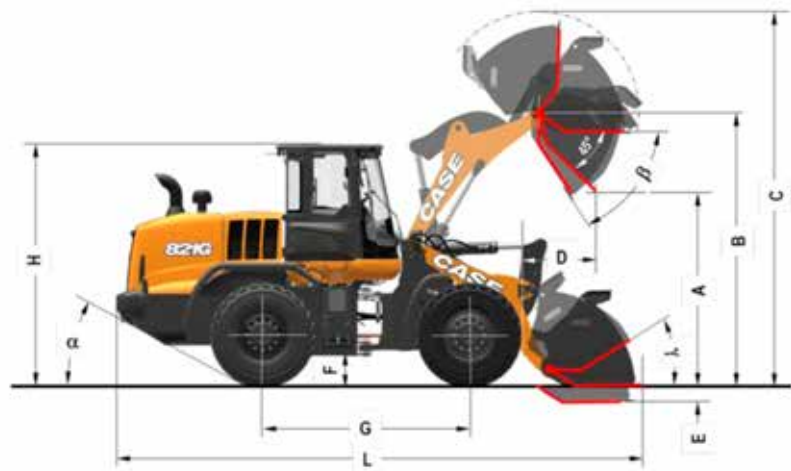
DIMENSION - Data with factory-fitted buckets		G.P QUICK COUPLER				REHANDLING
		Z-Bar		XR		Z-Bar
Bucket accessory		B.O.E.	Teeth	B.O.E.	Teeth	B.O.E.
Bucket Rated Capacity	m ³	2.7	2.6	2.5	2.4	3.2
Bucket Capacity at 110% Fill Factor	m ³	3	2.8	2.7	2.6	3.5
Bucket overall width	mm	2712	2726	2494	2510	2740
Bucket weight	kg	1745	1726	1155	1134	1424
A Dump height at 45° @ full boom height	mm	2839	2732	3429	3330	2883
B Bucket hinge pin height	mm	4078	4078	4477	4477	4078
C Overall height	mm	5452	5452	5827	5827	5613
D Bucket reach, 45° dump @ full boom height	mm	1062	1149	990	1086	1074
E Digging depth	mm	41	55	48	62	67
F Ground clearance	mm	384	384	384	384	384
G Wheel base	mm	3253	3253	3253	3253	3253
H Cab roof height	mm	3378	3378	3378	3378	3378
W Overall vehicle width (without bucket)	mm	2558	2558	2558	2558	2558
L Overall length on ground (with bucket)	mm	7841	7989	8019	8165	7827
alpha Departure angle	°	29	29	29	29	29
R2 Turning radius (at outer wheel)	mm	5748	5748	5748	5748	5748
R1 Turning radius (at bucket corner, max reach)	mm	6405	6460	6398	6455	6373
delta Full steering angle	°	±40	±40	±40	±40	±40
gamma Bucket rollback angle @ boom carry position	°	38	38	43	43	42
beta Bucket dump angle @ maximum boom height	°	48	48	47	47	42
LOADER PERFORMANCE						
Bucket accessory		B.O.E.	Teeth	B.O.E.	Teeth	B.O.E.
Machine operating weight (w/L3 tires)	kg	16166	16147	15779	15757	15845
Tipping load, straight	kg	12003	12134	11612	11640	12867
Tipping load, full turn	kg	9988	10099	9721	9748	10752
Maximum payload	kg	4994	5049	4860	4874	5376
Maximum material density	kg/m ³	1845	1937	1929	2040	1679
Bucket break-out force	daN	11889	11900	14315	15405	11669
CYCLE TIMES						
Lift (full load)	sec	5.2		5.2		5.2
Dump (full load)	sec	1.2		1.2		1.2
Lowering (empty, float down)	sec	2.4		2.4		2.4

All units equipped with std.* L3 Radial Tires (Unless Noted), ROPS cab with Heater and A/C, Heavy Counterweight, Front and Rear Fenders, Full Fuel and DEF tanks, 75 kg operator. Specifications per ISO 14397, ISO 5998 AND ISO 7546.

* STD Tires size per model: 521G: 17.5R25 | 621G-651G-721G: 20.5R25 | 821G-921G: 23.5R25 | 1021G-1121G: 26.5R25

LOADER SPECIFICATIONS

BUCKETS, Z-BAR & XR - 821G



NEW



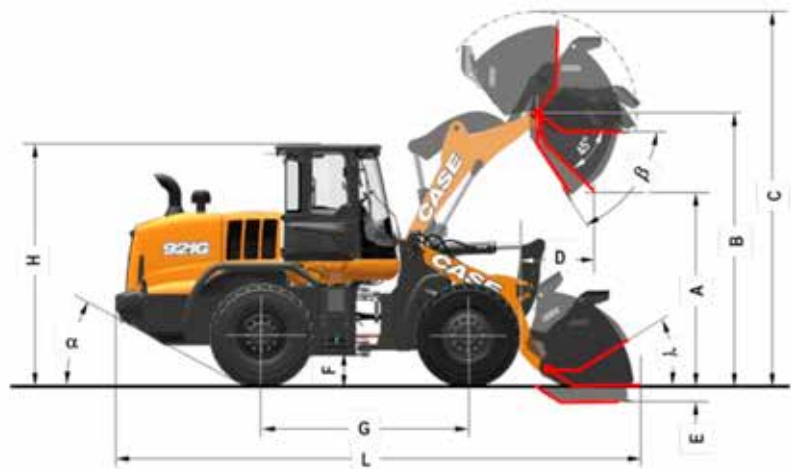
DIMENSION - Data with factory-fitted buckets	G.P. PIN-ON				G.P QUICK COUPLER				REHANDL.	
	Z-Bar		XR		Z-Bar		XR		Z-Bar	
Bucket accessory	B.O.E.	Teeth	B.O.E.	Teeth	B.O.E.	Teeth	B.O.E.	Teeth	B.O.E.	
Bucket Rated Capacity:	m ³	3.4	3.2	3.2	3	3.2	3.1	3.2	3.1	3.6
Bucket Capacity at 110% Fill Factor	m ³	3.7	3.5	3.5	3.3	3.5	3.4	3.5	3.4	3.9
Bucket overall width	mm	2946	2983	2946	2983	2983	2983	2946	2983	2990
Bucket weight	kg	1568	1551	1539	1521	2638	2620	2638	2620	1650
A Dump height at 45° @ full boom height	mm	2932	2852	3394	3313	2727	2639	3172	3085	2914
B Bucket hinge pin height	mm	4120	4120	4561	4561	4116	4116	4558	4558	4120
C Overall height	mm	5483	5483	5890	5890	5990	5990	6031	6031	5731
D Bucket reach, 45° dump @ full boom height	mm	1166	1146	1253	1335	1184	1258	1303	1378	976
E Digging depth	mm	74	84	141	151	77	86	144	153	90
F Ground clearance	mm	390	390	390	390	390	390	390	390	390
G Wheel base	mm	3340	3340	3340	3340	3340	3340	3340	3340	3340
H Cab roof height	mm	3380	3380	3380	3380	3380	3380	3380	3380	3380
W Overall vehicle width (without bucket)	mm	2480	2480	2480	2480	2480	2480	2480	2480	2480
L Overall length on ground (with bucket)	mm	8082	8202	8535	8650	8261	8382	8746	8867	7993
alpha Departure angle	°	29	29	29	29	29	29	29	29	29
R2 Turning radius (at outer wheel)	mm	6030	6030	6030	6030	6030	6030	6030	6030	6030
R1 Turning radius (at bucket corner, max reach)	mm	6629	6681	6868	6927	6685	6739	6945	7006	6615
delta Full steering angle	°	±40	±40	±40	±40	±40	±40	±40	±40	±40
gamma Bucket rollback angle @ boom carry position	°	45	45	43	43	44	44	43	43	45
beta Bucket dump angle @ maximum boom height	°	55	55	49	49	51	51	45	45	50
LOADER PERFORMANCE										
Bucket accessory	B.O.E.	Teeth	B.O.E.	Teeth	B.O.E.	Teeth	B.O.E.	Teeth	B.O.E.	Teeth
Machine operating weight (w/L3 tires)	kg	18329	18311	18556	18549	19397	19380	19665	19647	18411
Tipping load, straight	kg	14880	14904	11941	11964	13162	13229	10420	10472	14914
Tipping load, full turn	kg	12472	12495	9944	10016	10886	10945	8561	8608	12481
Maximum payload	kg	6236	6248	4997	5008	5443	5472	4281	4304	6240
Maximum material density	kg/m ³	1873	1947	1567	1626	1710	1745	1345	1372	1719
Bucket break-out force	daN	14752	15722	15395	16411	12563	13282	12797	13526	14784
CYCLE TIMES										
Lift (full load)	sec	6.2		6.2		6.2		6.2		6.2
Dump (full load)	sec	1.2		1.2		1.2		1.2		1.2
Lowering (empty, float down)	sec	2.5		2.5		2.5		2.5		2.5

All units equipped with std.* L3 Radial Tires (Unless Noted), ROPS cab with Heater and A/C, Heavy Counterweight, Front and Rear Fenders, Full Fuel and DEF tanks, 75 kg operator. Specifications per ISO 14397, ISO 5998 AND ISO 7546.

* STD Tires size per model: 521G: 17.5R25 | 621G-651G-721G: 20.5R25 | 821G-921G: 23.5R25 | 1021G-1121G: 26.5R25

LOADER SPECIFICATIONS

BUCKETS, Z-BAR & XR - 921G



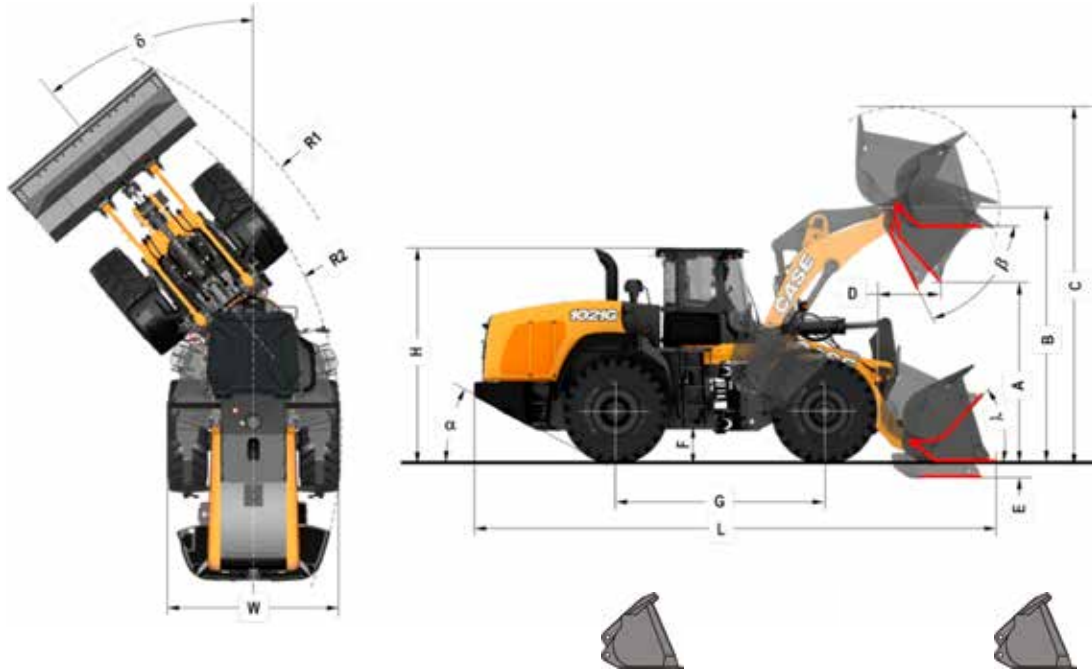
DIMENSION - Data with factory-fitted buckets	G.P. PIN-ON				G.P QUICK COUPLER				REHANDL.	
	Z-Bar		XR		Z-Bar		XR		Z-Bar	
Bucket accessory	B.O.E.	Teeth	B.O.E.	Teeth	B.O.E.	Teeth	B.O.E.	Teeth	B.O.E.	
Bucket Rated Capacity:	m ³	4	3.8	4	3.8	3.2	3.1	3.2	3.1	4.2
Bucket Capacity at 110% Fill Factor	m ³	4.4	4.2	4.4	4.2	3.5	3.4	3.5	3.4	4.6
Bucket overall width	mm	2946	2946	2946	2983	2946	2983	2946	2983	3190
Bucket weight	kg	1772	1754	1772	1754	2638	2620	2638	2620	1847
A Dump height at 45° @ full boom height	mm	2949	2862	3440	3358	2809	2722	3298	3213	2903
B Bucket hinge pin height	mm	4200	4200	4647	4647	4200	4200	4645	4645	4200
C Overall height	mm	5810	5810	6256	6256	5673	5673	6118	6118	4200
D Bucket reach, 45° dump @ full boom height	mm	969	1042	1130	1208	1102	1177	1257	1335	986
E Digging depth	mm	44	54	106	116	49	58	111	120	65
F Ground clearance	mm	430	430	430	430	430	430	430	430	430
G Wheel base	mm	3340	3340	3340	3340	3340	3340	3340	3340	3340
H Cab roof height	mm	3460	3460	3460	3460	3460	3460	3460	3460	3460
W Overall vehicle width (without bucket)	mm	2830	2830	2830	2830	2830	2830	2830	2830	2830
L Overall length on ground (with bucket)	mm	8145	8265	8632	8750	8340	8461	8826	8947	8204
alpha Departure angle	°	29	29	29	29	29	29	29	29	29
R2 Turning radius (at outer wheel)	mm	6030	6030	6030	6030	6030	6030	6030	6030	6030
R1 Turning radius (at bucket corner, max reach)	mm	6624	6676	6873	6873	6684	6739	6946	7006	6745
delta Full steering angle	°	±40	±40	±40	±40	±40	±40	±40	±40	±40
gamma Bucket rollback angle @ boom carry position	°	45	45	43	43	44	44	43	43	43
beta Bucket dump angle @ maximum boom height	°	48	48	42	42	48	48	43	43	48
LOADER PERFORMANCE										
Bucket accessory	B.O.E.	Teeth	B.O.E.	Teeth	B.O.E.	Teeth	B.O.E.	Teeth	B.O.E.	Teeth
Machine operating weight (w/L3 tires)	kg	20425	20407	20689	20671	21291	21274	21555	21537	20501
Tipping load, straight	kg	17720	17395	13774	13900	15372	15446	12248	12306	16605
Tipping load, full turn	kg	14277	14426	11387	11495	12618	12682	9993	10043	13749
Maximum payload	kg	7139	7213	5694	5748	6309	6341	4996	5022	6875
Maximum material density	kg/m ³	1798	1888	1434	1505	1982	2022	1569	1601	1638
Bucket break-out force	daN	17386	18548	17682	18859	14774	15617	15049	15904	15631
CYCLE TIMES										
Lift (full load)	sec	6.3		6.3		6.3		6.3		6.3
Dump (full load)	sec	1.5		1.5		1.5		1.5		1.5
Lowering (empty, float down)	sec	3.6		3.6		3.6		3.6		3.6

All units equipped with std.* L3 Radial Tires (Unless Noted), ROPS cab with Heater and A/C, Heavy Counterweight, Front and Rear Fenders, Full Fuel and DEF tanks, 75 kg operator. Specifications per ISO 14397, ISO 5998 AND ISO 7546.

* STD Tires size per model: 521G: 17.5R25 | 621G-651G-721G: 20.5R25 | 821G-921G: 23.5R25 | 1021G-1121G: 26.5R25

LOADER SPECIFICATIONS

BUCKETS, Z-BAR & XR - 1021G-1121G



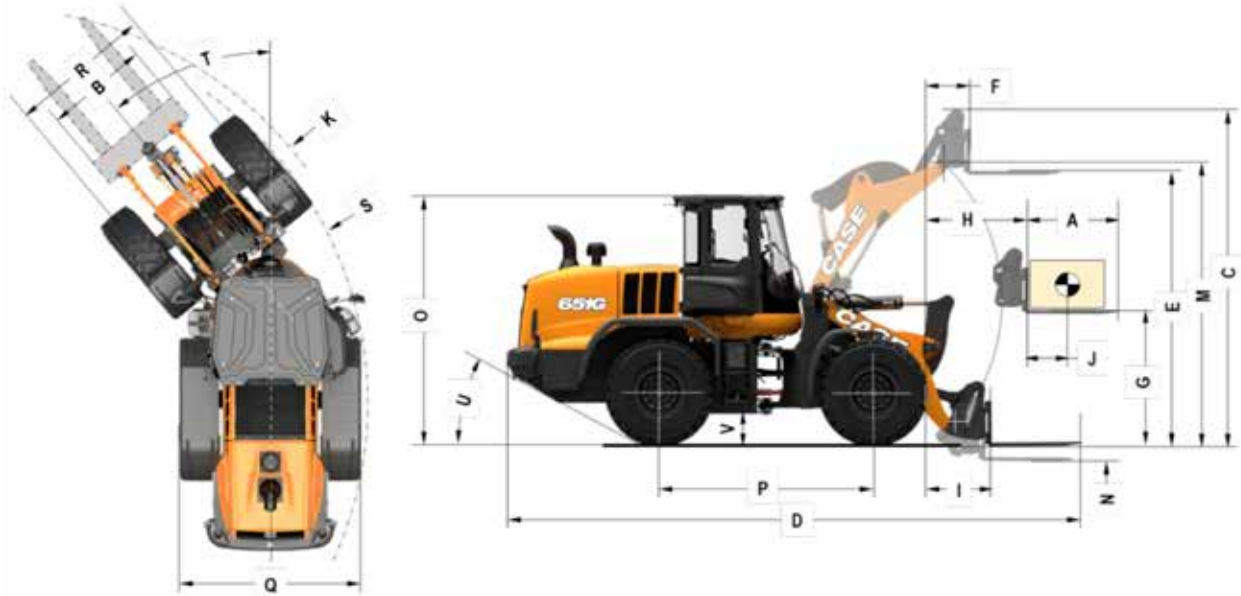
DIMENSION - Data with factory-fitted buckets		1021G G.P. PIN-ON				1121G G.P. PIN-ON			
		Z-Bar		XR		Z-Bar		XR	
Bucket accessory		B.O.E.	Teeth	B.O.E.	Teeth	B.O.E.	Teeth	B.O.E.	Teeth
Bucket Rated Capacity:	m ³	4.4	4.2	4.4	4.2	5	4.8	4.8	4.6
Bucket Capacity at 110% Fill Factor	m ³	4.8	4.6	4.8	4.6	5.5	5.3	5.3	5
Bucket overall width	mm	3021	3048	3195	3223	3171	3198	3195	3223
Bucket weight	kg	2317	2289	2121	2119	2448	2410	2241	2240
A Dump height at 45° @ full boom height	mm	2943	2841	3659	3541	3117	3015	3626	3508
B Bucket hinge pin height	mm	4245	4245	4827	4827	4450	4450	4867	4867
C Overall height	mm	5958	5958	6405	6405	6234	6234	6564	6564
D Bucket reach, 45° dump @ full boom height	mm	1222	1288	1278	1411	1172	1239	1315	1449
E Digging depth	mm	124	149	127	131	112	137	111	116
F Ground clearance	mm	437	437	437	437	437	437	437	437
G Wheel base	mm	3550	3550	3550	3550	3550	3550	3550	3550
H Cab roof height	mm	3577	3577	3577	3577	3577	3577	3577	3577
W Overall vehicle width (without bucket)	mm	2978	2978	2978	2978	2978	2978	2978	2978
L Overall length on ground (with bucket)	mm	9036	9172	9467	9648	9189	9324	9580	9761
α Departure angle	°	23	23	23	23	23	23	23	23
R2 Turning radius (at outer wheel)	mm	6366	6366	6366	6366	6366	6366	6366	6366
R1 Turning radius (at bucket corner, max reach)	mm	7033	7087	7342	7413	7162	7217	7378	7450
δ Full steering angle	°	±40	±40	±40	±40	±40	±40	±40	±40
γ Bucket rollback angle @ boom carry position	°	49	49	48	48	49	49	48	48
β Bucket dump angle @ maximum boom height	°	48	48	50	50	45	45	50	50
LOADER PERFORMANCE									
Bucket accessory		B.O.E.	Teeth	B.O.E.	Teeth	B.O.E.	Teeth	B.O.E.	Teeth
Machine operating weight (w/L3 tires)	kg	25271	25244	26631	26629	28171	28132	28777	28776
Tipping load, straight	kg	21675	21675	17856	17971	23355	23591	20126	20254
Tipping load, full turn	kg	17541	16157	14703	14794	18886	19087	16568	16670
Maximum payload	kg	8770	8859	7352	7397	9443	9544	8284	8335
Maximum material density	kg/m ³	1994	2095	1749	1826	1889	1976	1734	1787
Bucket break-out force	daN	18707	20331	20243	21669	21902	22318	22430	23880
CYCLE TIMES									
Lift (full load)	sec	6.2		6.2		6.5		6.5	
Dump (full load)	sec	1.3		1.3		1.4		1.4	
Lowering (empty, float down)	sec	2.8		2.8		2.8		2.8	

All units equipped with std.* L3 Radial Tires (Unless Noted), ROPS cab with Heater and A/C, Heavy Counterweight, Front and Rear Fenders, Full Fuel and DEF tanks, 75 kg operator. Specifications per ISO 14397, ISO 5998 AND ISO 7546.

* STD Tires size per model: 521G: 17.5R25 | 621G-651G-721G: 20.5R25 | 821G-921G: 23.5R25 | 1021G-1121G: 26.5R25

LOADER SPECIFICATIONS

FORKS, Z-BAR & XR - 521G-621G-651G-721G



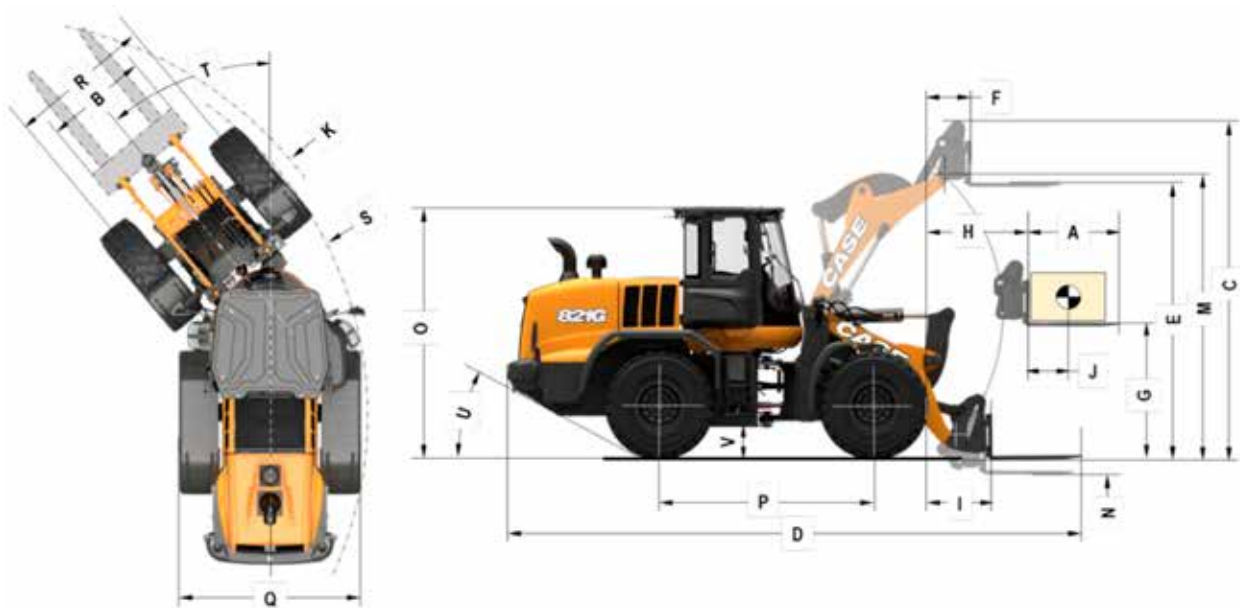
DIMENSION - Factory-fitted forks and quick coupler	521G		621G		651G		721G		
	Z-Bar	XR	Z-Bar	XR	Z-Bar	XR	Z-Bar	XR	
A Fork length	mm	1200	1200	1200	1200	1200	1200	1220	1220
B Attachment width	mm	1500	1500	1500	1500	1500	1500	1500	1500
Attachment weight - includes coupler	kg	742	742	801	801	801	801	1056	1056
C Overall height @ top of attachment, forks level	mm	3766	4146	3925	4350	4033	4458	4179	4577
D Overall length - forks level on ground	mm	7122	7473	7614	8033	7624	8043	7990	8349
E Fork clearance @ full height	mm	3397	3777	3626	4051	3731	4156	3802	4200
F Fork reach @ full height	mm	701	675	578	579	458	431	618	593
G Fork clearance @ max reach	mm	1667	1666	1755	1755	1751	1751	1762	1761
H Fork reach (max)	mm	1421	1688	1376	1698	1376	1698	1499	1785
I Fork reach @ ground	mm	762	1113	691	1110	701	1120	875	1234
J Fork load center	mm	600	600	600	600	600	600	600	600
K Turning radius w/ forks in carry position w/ 15° rollback	mm	5359	5567	5531	5776	5531	5776	6058	6260
M Hinge pin height - full height	mm	3605	3985	3833	4258	3938	4363	4080	4478
N Dig depth	mm	32	67	12	17	(-7)	(-9)	42	39
Common dimensions for all machines equipped with same tires:									
O Overall height - top of cab	mm	3275	3275	3384	3384	3384	3381	3377	3377
P Wheelbase	mm	2750	2750	2900	2900	2900	2900	3253	3253
Q Overall width - w/o attachment	mm	2448	2448	2478	2478	2478	2478	2558	2558
R Tread width	mm	2000	2000	1950	1950	1950	1950	2030	2030
S Turning radius	mm	5002	5002	5223	5223	5233	5233	5748	5748
T Turning angle from center	°	±40	±40	±40	±40	±40	±40	±40	±40
U Departure angle	°	30	30	25	25	25	25	29	29
V Ground clearance	mm	341	341	389	389	389	389	384	384
OPERATIONAL DATA									
Operating weight (without load)	kg	10933	11121	12754	12936	13939	14121	15477	15680
Operating load:									
50% of full turn tipping load, SAE J1197	kg	2681	2369	3281	2838	3648	3170	3952	3482
60% of full turn tipping load, rough terrain, EN474-3	kg	3217	2842	3937	3405	4377	3804	4743	4178
80% of full turn tipping load, firm & level ground, EN474-3	kg	4289	3790	5249	4540	5836	5072	6324	5570
Tipping load:									
Machine straight	kg	6247	5541	7734	6717	8635	7529	9542	8434
Full turn (40°)	kg	5361	4737	6562	5675	7296	6340	7904	6963

All units equipped with std.* L3 Radial Tires (Unless Noted), ROPS cab with Heater and A/C, Heavy Counterweight, Front and Rear Fenders, Full Fuel and DEF tanks, 75 kg operator. Specifications per ISO 14397, ISO 5998 AND ISO 7546.

* STD Tires size per model: 521G: 17.5R25 | 621G-651G-721G: 20.5R25 | 821G-921G: 23.5R25 | 1021G-1121G: 26.5R25

LOADER SPECIFICATIONS

FORKS, Z-BAR & XR - 821G-921G



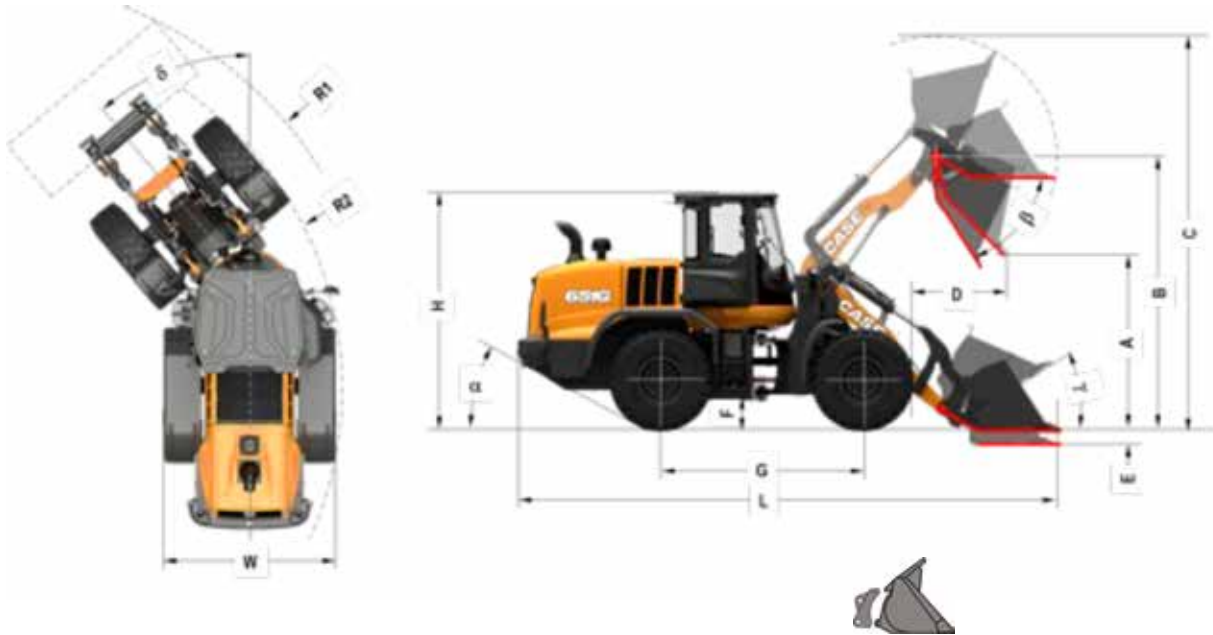
DIMENSION - Factory-fitted forks and quick coupler			821G		921G	
			Z-Bar	XR	Z-Bar	XR
A Fork length	mm		1250	1250	1250	1250
B Attachment width	mm		1500	1500	1500	1500
Attachment weight - includes coupler	kg		1257	1257	1257	1257
C Overall height - operating top of attachment, forks level	mm		4203	4644	4280	4726
D Overall length - forks level on ground	mm		8244	8720	8346	8800
E Fork clearance @ full height - ground to top of tine	mm		3917	4358	3999	4445
F Fork reach @ full height - vertical front surface of tine to front of tire	mm		680	793	599	694
G Fork clearance @ max reach - ground to top of tine	mm		1850	1850	1855	1854
H Fork reach (max) - vertical front surface of tine to front of tire	mm		1542	1944	1542	1944
I Fork reach @ ground - vertical front surface of tine to front of tire	mm		902	1378	921	1375
J Fork load center - vertical front surface of tine to load CG	mm		625	625	625	625
K Turning radius w/ forks in carry position w/ 15° rollback	mm		6202	6489	6202	6489
M Hinge pin height - full height	mm		4120	4561	4202	4648
N Dig depth	mm		(-31)	36	(-59)	4
Common dimensions for all machines equipped with same tires:						
O Overall height - top of cab	mm		3460	3460	3465	3464
P Wheelbase	mm		3340	3340	3340	3340
Q Overall width - exclusive of the attachment	mm		2829	2829	2829	2829
R Tread width	mm		2230	2230	2230	2230
S Turning radius	mm		6003	6003	6003	6003
T Turning angle from center	°		±40	±40	±40	±40
U Departure angle	°		29	29	29	29
V Ground clearance	mm		390	390	390	390
OPERATIONAL DATA						
Operating weight (without load)	kg		18017	18285	19911	20174
Operating load:						
50% of full turn tipping load, SAE J1197	kg		4484	3774	5144	4340
60% of full turn tipping load, rough terrain, EN474-3	kg		5381	4529	6173	5208
80% of full turn tipping load, firm & level ground, EN474-3	kg		7175	6038	8230	6944
Tipping load:						
Machine straight	kg		10737	9085	12427	10541
Full turn (40°)	kg		8969	7548	10288	8679

All units equipped with std.* L3 Radial Tires (Unless Noted), ROPS cab with Heater and A/C, Heavy Counterweight, Front and Rear Fenders, Full Fuel and DEF tanks, 75 kg operator. Specifications per ISO 14397, ISO 5998 AND ISO 7546.

* STD Tires size per model: 521G: 17.5R25 | 621G-651G-721G: 20.5R25 | 821G-921G: 23.5R25 | 1021G-1121G: 26.5R25

LOADER SPECIFICATIONS

BUCKETS, XT - 521G-621G-651G-721G



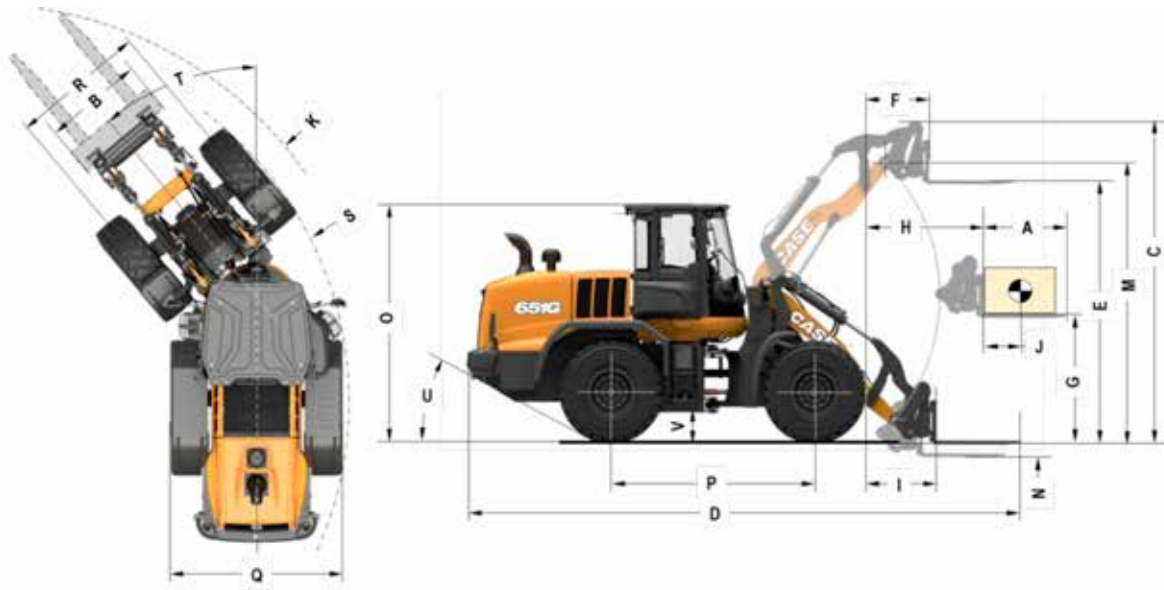
DIMENSION - Data with factory-fitted buckets		521G		621G		651G		721G	
		XT		XT		XT		XT	
Bucket accessory		B.O.E.	Teeth	B.O.E.	Teeth	B.O.E.	Teeth	B.O.E.	Teeth
Bucket Rated Capacity:	m ³	1.8	1.7	2	1.9	2	1.9	2.7	2.6
Bucket Capacity at 110% Fill Factor	m ³	2	1.9	2.2	2.1	2.2	2.1	3	2.8
Bucket overall width	mm	2497	2540	2497	2540	2497	2540	2712	2726
Bucket weight	kg	1050	902	1256	1202	1256	1202	1682	1663
A Dump height at 45° @ full boom height	mm	2428	2357	2572	2495	2569	2492	2796	2689
B Bucket hinge pin height	mm	3743	3743	3960	3960	3956	3956	4154	4154
C Overall height	mm	4932	4932	5233	5233	5230	5230	5504	5504
D Bucket reach, 45° dump @ full boom height	mm	1116	1182	1105	1175	1105	1175	1162	1249
E Digging depth	mm	197	200	180	184	183	188	123	137
F Ground clearance	mm	341	341	389	389	389	389	437	437
G Wheel base	mm	2750	2750	2900	2900	2900	2900	3550	3550
H Cab roof height	mm	3275	3275	3384	3384	3384	3384	3577	3577
W Overall vehicle width (without bucket)	mm	2448	2448	2478	2478	2478	2478	2978	2978
L Overall length on ground (with bucket)	mm	7120	7219	7777	7885	7780	7888	7998	8146
α Departure angle	°	30	30	25	25	25	25	29	29
R2 Turning radius (at outer wheel)	mm	5002	5002	5223	5223	5223	5223	5748	5748
R1 Turning radius (at bucket corner, max reach)	mm	5527	5572	5725	5768	5725	5768	6396	6446
δ Full steering angle	°	±40	±40	±40	±40	±40	±40	±40	±40
γ Bucket rollback angle @ boom carry position	°	53	53	59	59	59	59	47	47
β Bucket dump angle @ maximum boom height	°	57	57	50	50	50	50	61	61
LOADER PERFORMANCE									
Bucket accessory		B.O.E.	Teeth	B.O.E.	Teeth	B.O.E.	Teeth	B.O.E.	Teeth
Machine operating weight (w/L3 tires)	kg	11564	11511	13376	13323	14446	14393	15911	15892
Tipping load, straight	kg	7161	7295	8826	8968	9740	9889	10446	10556
Tipping load, full turn	kg	6235	6360	7613	7744	8467	8606	8679	8774
Maximum payload	kg	3118	3180	3806	3872	4234	4303	4340	4387
Maximum material density	kg/m ³	1784	1914	1875	2000	2086	2222	1602	1684
Bucket break-out force	daN	7899	8540	10242	10944	10242	10945	11718	12464
CYCLE TIMES									
Lift (full load)	sec		5.4		6.5		n.a.		5.2
Dump (full load)	sec		2.4		2.4		n.a.		1.3
Lowering (empty, float down)	sec		3.9		4.2		n.a.		2.4

All units equipped with std.* L3 Radial Tires (Unless Noted), ROPS cab with Heater and A/C, Heavy Counterweight, Front and Rear Fenders, Full Fuel and DEF tanks, 75 kg operator. Specifications per ISO 14397, ISO 5998 AND ISO 7546.

* STD Tires size per model: 521G: 17.5R25 | 621G-651G-721G: 20.5R25 | 821G-921G: 23.5R25 | 1021G-1121G: 26.5R25

LOADER SPECIFICATIONS

FORKS, XT - 521G-621G-651G-721G

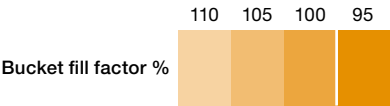


DIMENSION - Factory-fitted forks and quick coupler		521G	621G	651G	721G	
		XT	XT	XT	XT	
A	Fork length	mm	1220	1200	1200	1220
B	Attachment width	mm	1500	1500	1500	1500
	Attachment weight - includes coupler	kg	704	732	732	705
C	Overall height @ top of attachment, forks level	mm	3702	3822	3822	4052
D	Overall length - forks level on ground	mm	7380	7921	7294	8172
E	Fork clearance @ full height	mm	3468	3710	3707	3895
F	Fork reach @ full height	mm	958	880	880	924
G	Fork clearance @ max reach	mm	1712	1806	1803	1855
H	Fork reach (max)	mm	1693	1705	1705	1755
I	Fork reach @ ground	mm	1000	978	981	1057
J	Fork load center	mm	600	600	600	609
K	Turning radius w/ forks in carry position w/ 15° rollback	mm	5511	5709	5709	6156
M	Hinge pin height - full height	mm	3743	3960	3958	4157
N	Dig depth	mm	88	48	51	12
Common dimensions for all machines equipped with same tires:						
O	Overall height - top of cab	mm	3460	3384	3384	3377
P	Wheelbase	mm	2750	2900	2900	3253
Q	Overall width - w/o attachment	mm	2829	2478	2478	2558
R	Tread width	mm	2230	1950	1950	2030
S	Turning radius	mm	6003	5223	5223	5748
T	Turning angle from center	°	±40	±40	±40	±40
U	Departure angle	°	29	25	25	29
V	Ground clearance	mm	390	389	389	384
OPERATIONAL DATA						
	Operating weight (without load)	kg	11218	12853	13922	14934
Operating load:						
	50% of full turn tipping load, SAE J1197	kg	2433	2939	3252	3637
	60% of full turn tipping load, rough terrain, EN474-3	kg	2920	3527	3903	4365
	80% of full turn tipping load, firm & level ground, EN474-3	kg	3893	4703	5204	5820
Tipping load:						
	Machine straight	kg	5677	6922	7606	8740
	Full turn (40°)	kg	4866	5878	6505	7274

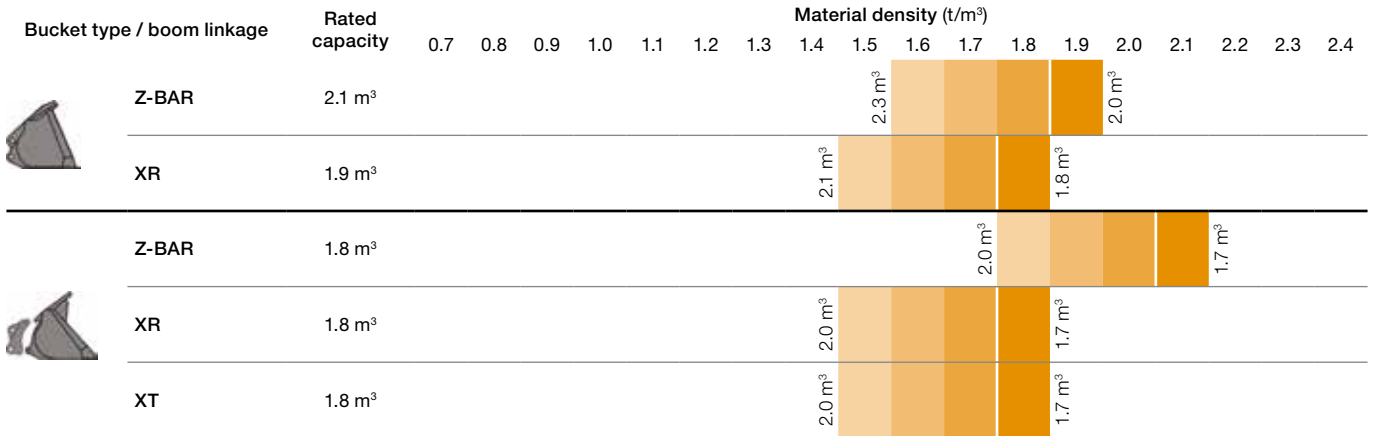
All units equipped with std.* L3 Radial Tires (Unless Noted), ROPS cab with Heater and A/C, Heavy Counterweight, Front and Rear Fenders, Full Fuel and DEF tanks, 75 kg operator. Specifications per ISO 14397, ISO 5998 AND ISO 7546.

* STD Tires size per model: 521G: 17.5R25 | 621G-651G-721G: 20.5R25 | 821G-921G: 23.5R25 | 1021G-1121G: 26.5R25

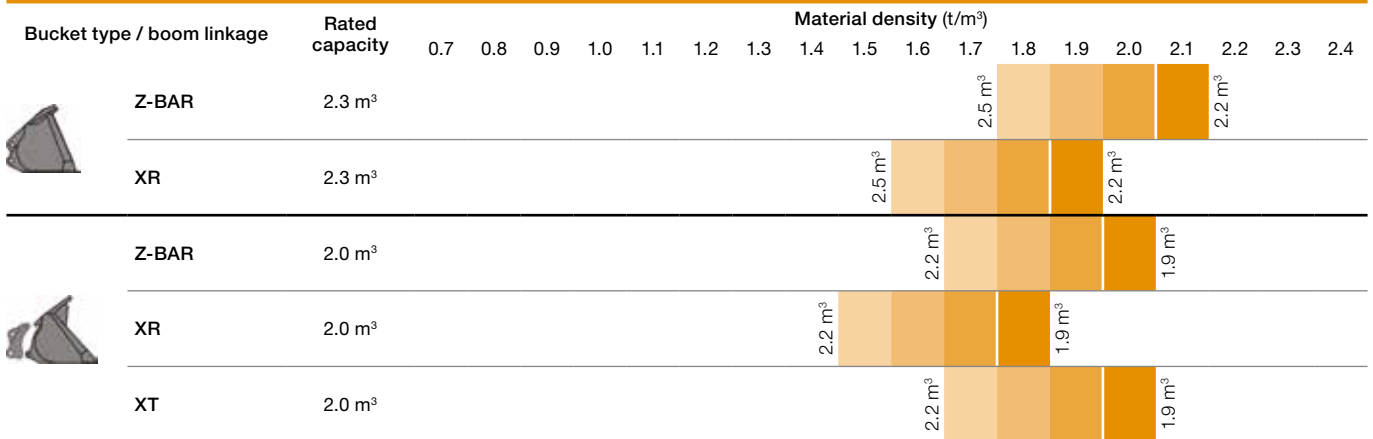
BUCKET SELECTION GUIDE



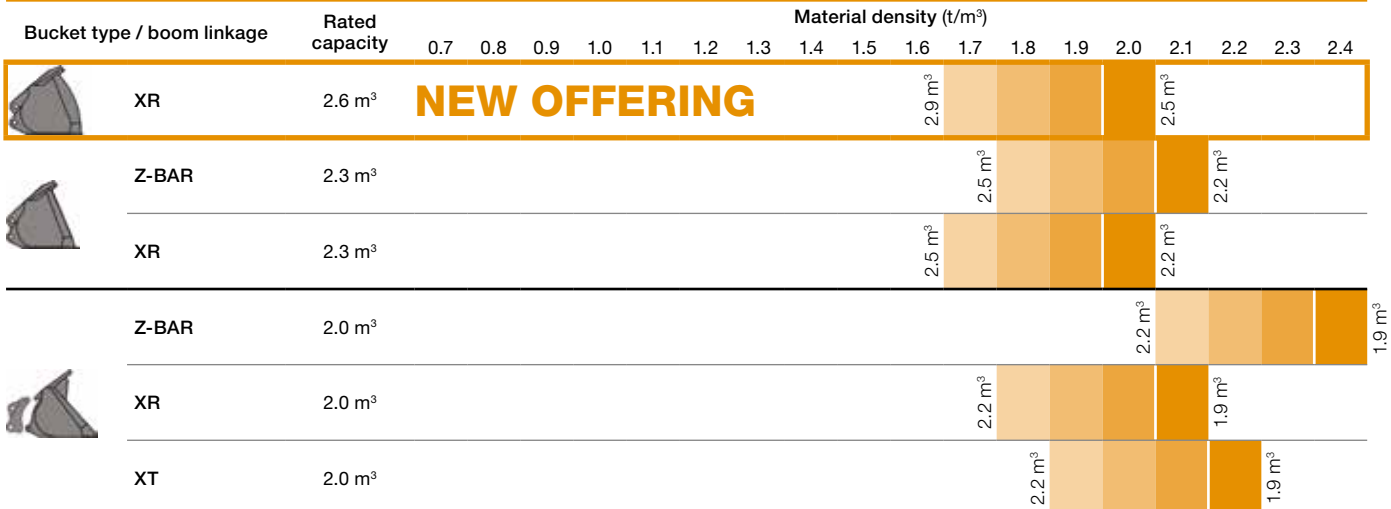
521G



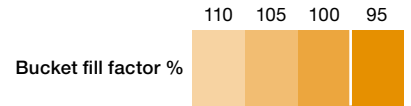
621G



651G



BUCKET SELECTION GUIDE



721G

Bucket type / boom linkage	Rated capacity	Material density (t/m ³)																
		0.7	0.8	0.9	1.0	1.1	1.2	1.3	1.4	1.5	1.6	1.7	1.8	1.9	2.0	2.1	2.2	2.3
Z-BAR	3.2 m ³	NEW OFFERING																
Z-BAR	3.0 m ³	NEW OFFERING																
Z-BAR	2.7 m ³												3.0 m ³					2.6 m ³
XR	2.7 m ³											3.0 m ³						2.6 m ³
XR	2.5 m ³											2.8 m ³						2.4 m ³
Z-BAR	2.7 m ³												3.0 m ³					2.6 m ³
XR	2.5 m ³											2.8 m ³						2.4 m ³
XT	2.7 m ³											3.0 m ³						2.6 m ³

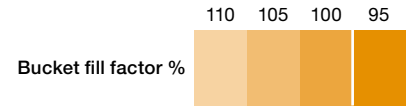
821G

Bucket type / boom linkage	Rated capacity	Material density (t/m ³)																	
		0.7	0.8	0.9	1.0	1.1	1.2	1.3	1.4	1.5	1.6	1.7	1.8	1.9	2.0	2.1	2.2	2.3	2.4
Z-BAR	3.6 m ³	NEW OFFERING																	
Z-BAR	3.4 m ³																		3.2 m ³
XR	3.2 m ³													3.0 m ³					
Z-BAR	3.2 m ³																		3.0 m ³
XR	3.2 m ³																		3.0 m ³

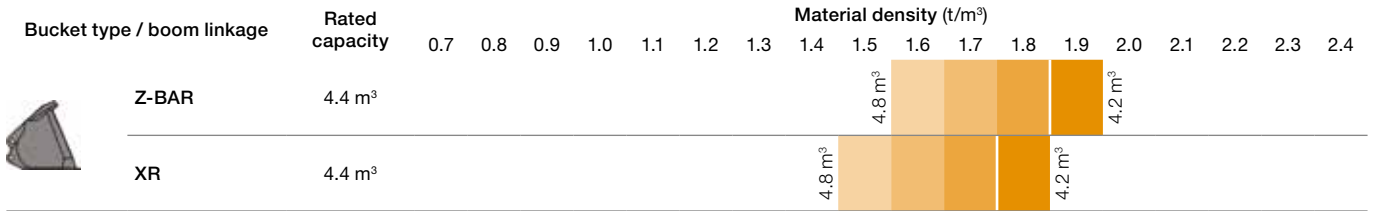
921G

Bucket type / boom linkage	Rated capacity	Material density (t/m ³)																	
		0.7	0.8	0.9	1.0	1.1	1.2	1.3	1.4	1.5	1.6	1.7	1.8	1.9	2.0	2.1	2.2	2.3	2.4
Z-BAR	4.2 m ³	NEW OFFERING																	
Z-BAR	4.0 m ³																		3.8 m ³
XR	4.0 m ³																		3.8 m ³
Z-BAR	3.2 m ³																		3.0 m ³
XR	3.2 m ³																		3.0 m ³

BUCKET SELECTION GUIDE



1021G



1121G



REFERENCE: COMMON MATERIAL DENSITIES AND BUCKET FILL FACTORS

MATERIAL	Density (t/m ³)	Fill Factor %	MATERIAL	Density (t/m ³)	Fill Factor %
Earth, dry	1300	115	Sugar Beets	600	100
Earth, wet (from digging)	1600	110	Wheat	700	85
Topsoil	1100	110	Coal, bituminous	800	100
Clay, natural	1600	110	Coal, anthracite	1200	100
Clay, dry	1600	110	Fertilizer	1250	85
Clay, wet	1650	105	Salt, dry	1300	85
Sand, dry	1500	110	Cement	1500	100
Sand, moist	1700	110	Gypsum, crushed	1800	100
Sand, wet	1900	110	Limestone	1600	95
Gravel, dry	1600	110	Limestone, crushed	1530	100
Gravel, moist	1900	105	Asphalt	1600	100
Sand and Clay, natural	1600	110	Compost, dry	800	105
Gravel and Clay, dry	1400	110	Compost, wet	1000	100
Gravel and Clay, wet	1600	100	Waste (household)	600	100
Sand and Gravel, dry	1700	105	Waste (piled)	1000	100
Sand and Gravel, wet	2000	100	Paper, cut into strips, loose	600	110
Aggregates Ø25 mm - Ø76 mm	1800	110	Paper (scrap paper and cardboard)	1000	110
Rock >Ø76 mm	1600	100	Coke	500	110
Snow, fresh	200	110	Granite	1800	95

STANDARD AND OPTIONS

COMMON FEATURES - FULL RANGE

FULL RANGE		FULL RANGE	
OPERATOR		OPERATOR COMPARTMENT	
Cab air conditioning	●	LED working lights: 2 front + 2 rear	○
8" full color touchscreen multifunction display	●	LED working lights: 4 front + 2 rear	○
Adjustable seat-mounted electro-hydraulic controls r.h. console	●	LED working lights: 6 front + 4 rear	○
Three configurable buttons (quick recall of favorite pages on display)	●	Halogen driving lights	●
Ride control engagement speed setting (push-button on keypad)	●	LED driving lights	○
Engine throttle lock speed setting (push-button on keypad)	●	ROAD HOMOLOGATION (1121G EXCLUDED)	
Rear window defrosting grid	●	Italian road homologation	○
Cab pressurisation from the 1 st fan speed	●	German/Dutch road homologation (40km/h)	○
ROPS (ISO EN13510) and FOPS (ISO EN3449) cab protection	●	Italian road homologation for ag tires	○
Password-protected ignition mode	●	German/Dutch road homologation (40km/h) ag tires	○
Roof-integrated microphone for hand-free calls (Bluetooth radio requested)	●	Swedish road homologation	○
USB and AUX ports	●	CONNECTIVITY	
Multiple storage compartments and cup holder	●	Advanced connectivity (Dealer dashboard, machine health parameter, maintenance & repair alerts, remote diagnosis)	●
Documents holder	●	3-Years SiteWatch™ Portal subscription (Fleet management, real-time payload reports, etc.)	●
Convenience kit including:		MISCELLANEOUS	
• Rear sunshade		Fire extinguisher	○
• Tray under seatCOMPARTMENT	○	Empty toolbox	○
• Additional 24V socket		Retrieval hitch, mandatory as per EN474	●
• 2 nd internal rear-view mirror (left side)		Wheel chocks	○
• Two coat hooks		Wide fenders w/lh-rh steps, Swedish homologation	○
Two external rear-view mirror	●	Steps on both sides, with full fenders	○
Two external heated rear-view mirror	○	License plate support	○
Standard seat, heated, air-suspended with high backrest and headrest, cloth coated	●	Side covers on rear chassis	○
Premium seat including:		Bottom cover (skid plate) on rear chassis	○
• Active air suspension		Front chassis guard	○
• Partial leather coating		Counterweight, standard	●
• Wider seat cushion (+ 40 mm)		Counterweight, heavy-duty	○
• High backrest with headrest	○	Waste handler guards' package, including:	
• Wide armrests		• Frame articulation covers	
• Automatic weight adjustment		• Front chassis cover	
• Low frequency shock absorber		• Transmission bottom guard	
• Seat heating		• Front chassis bottom guard	
• Horizontal shock absorber		• Hydraulic cylinder guard	○
2" High visibility 2-points seatbelt	●	• Front frame debris ejectors (boom cylinder's room)	
Radio ready (including wiring and speakers)	●	• Front driving lights protection grids	
AM/FM Radio with Bluetooth	○	• Rear driving lights protection grids	
Rotating beacon	○	• Fuel tank bottom guard	
Rear-view camera (image automatically displayed when reverse gear is engaged)	●	Note: available on 621G, 651G, 721G, 821G, 921G	
Joystick, electro-hydraulic, 2 functions	●	Front windshield protection grid	○
Joystick, electro-hydraulic, 3 functions (3 rd function controlled by one slider on joystick)	○	Automatic lubrication system	○
Joystick, electro-hydraulic (4 functions, 3 rd & 4 th functions controlled by two sliders on joystick)	○	Engine compartment hood electrically openable (521G excluded)	●
Three single axis levers, finger-tip type	○	External fluids drain ports (engine oil, engine coolant, hydraulic oil)	●
Automatic return-to-dig function adjustable from push-button in the cab	●	HYDRAULICS / STEERING	
Automatic boom height stop adjustable from push-button in the cab	●	Electrical secondary emergency steering	●
Automatic return-to-travel function adjustable from push-button in the cab	●	Load sensing variable displacement pump	●
Standard steering wheel	●	3-Spool load sensing control valve	●
Joystick steering (in addition to standard steering wheel)	○	4 th Hydraulic function	○
Integrated payload system with automatic tip-off function, data transmitted in real time to the Customer Portal via SiteWatch™	○	Loader arm suspension (ride control)	●
Integrated Tire Pressure Monitoring System	○	Quick coupler dedicated circuit	○
Halogen working lights: 2 front + 2 rear	●		
LED working lights: 2 front + 2 rear	○		
LED working lights: 4 front + 2 rear	○		

● Standard | ○ options | - N/A

STANDARD AND OPTIONS

FEATURES - 521G - 621G

			521G		621G	
			Z-BAR/XR	XT	Z-BAR/XR	XT
ENGINE						
Engine FPT N45 Stage V			●	●	-	-
Engine FPT N67 Stage V			-	-	●	●
Exhaust gases after-treatment Selective Catalyst Reduction on Filter			●	●	●	●
Engine working modes selection (Smart/Max)			●	●	●	●
Air intake rain cap cover (no pre-cleaner)			●	●	●	●
Air intake pre-cleaner			○	○	○	○
Air intake pre-cleaner with dust ejector (Sy-Klone)			○	○	○	○
Standard weather start package			●	●	●	●
Cold weather start package			○	○	○	○
Standard weather package with biodegradable hydraulic oil			○	○	○	○
Cold weather package with biodegradable hydraulic oil			○	○	○	○
Exclusive cooling radiators package (cooling cube) with variable speed reversable hydraulic-driven fan			●	●	●	●
Heavy duty cooling cube, wider radiators cores with variable speed reversable hydraulic-driven fan			○	○	○	○
Remote jump start			●	●	●	●
TRANSMISSION & AXLES						
Powershift Transmission, automatic control 4-speed forward / 3-speed reverse			●	●	●	●
Powershift Transmission, automatic control 5-speed forward / 3-speed reverse with torque converter lock-up and proportional clutch cut-off			-	-	○	○
Transmission control lever on steering column			●	●	●	●
Forward-Neutral-Reverse rocker switch on hydraulic control lever			●	●	●	●
Transmission speed limiter 20 km/h			○	○	○	○
Passive parking brake, electrically disengagement, automatically engaged at engine shut-off			●	●	●	●
Standard axles with limited slip differential front and rear			●	●	●	●
Heavy duty axles with 100% front differential lock and open rear differential			○	○	○	○
Rear axle oscillation limiter			○	○	○	○
TIRES						
L3 Radial XHA	17.5R25	Michelin	●	●	-	-
L3 Radial TB516	17.5R25	Triangle	○	○	-	-
L3 Radial TB516	20.5R25	Triangle	○	○	○	○
L3 Radial XHA2	20.5R25	Michelin	○	○	●	●
L2 Radial VSW	20.5R25	Bridgestone	○	○	○	○
L5 Radial XLD-D2	17.5R25	Michelin	○	○	-	-
AG Radial 370	620/70R26	Alliance	○	○	○	○
L5 Radial XLD-D2	20.5R25	Michelin	-	-	○	○
L5 Radial TB538+	20.5R25	Triangle	-	-	○	○
LOADER LINKAGE & ATTACHMENTS						
Standard Z-Bar linkage			●	-	●	-
XR - Extended reach linkage			○	-	○	-
XT - Parallel linkage			-	●	-	●
Bucket, pin-on, 2.1 m ³ , 2490 mm wide			○	-	-	-
Bucket, with hydraulic quick coupler, 1.8 m ³ , 2490 mm wide			○	○	-	-
Hydraulic quick coupler			○	○	○	○
Fork with hydraulic quick coupler			○	○	○	-
Bucket, pin-on, 2.3 m ³ , 2490 mm wide			-	-	○	○
Bucket, with hydraulic quick coupler, 2.1 m ³ , 2490 mm wide			-	-	○	○
Bucket teeth			○	○	○	○
Bolt-on reversible cutting edge			○	○	○	○
Teeth + bolt-on cutting edge segments			○	○	○	○
Bucket teeth guard L = 2490 mm			○	○	○	○

STANDARD AND OPTIONS

FEATURES - 651G - 721G

			651G		721G	
			Z-BAR/XR	XT	Z-BAR/XR	XT
ENGINE						
Engine FPT N67 Stage V			●	●	●	●
Exhaust gases after-treatment Selective Catalyst Reduction on Filter			●	●	●	●
Engine working modes selection (Smart/Max)			●	●	●	●
Air intake rain cap cover (no pre-cleaner)			●	●	●	●
Air intake pre-cleaner			○	○	○	○
Air intake pre-cleaner with dust ejector (Sy-Klone)			○	○	○	○
Standard weather start package			●	●	●	●
Cold weather start package			○	○	○	○
Standard weather package with biodegradable hydraulic oil			○	○	○	○
Cold weather package with biodegradable hydraulic oil			○	○	○	○
Exclusive cooling radiators package (cooling cube) with variable speed reversable hydraulic-driven fan			●	●	●	●
Heavy duty cooling cube, wider radiators cores with variable speed reversable hydraulic-driven fan			○	○	○	○
Remote jump start			●	●	●	●
TRANSMISSION & AXLES						
Powershift Transmission, automatic control 4-speed forward / 3-speed reverse			●	●	●	●
Powershift Transmission, automatic control 5-speed forward / 3-speed reverse with torque converter lock-up and proportional clutch cut-off			○	○	○	○
Transmission control lever on steering column			●	●	●	●
Forward-Neutral-Reverse rocker switch on hydraulic control lever			●	●	●	●
Transmission speed limiter 20 km/h			○	○	○	○
Passive parking brake, electrically disengagement, automatically engaged at engine shut-off			●	●	●	●
Heavy duty axles with limited slip differential front and rear			●	●	●	●
Heavy duty axles with front differential lock and open rear differential			○	○	○	○
Heavy duty axles with front differential lock and rear LSD			○	○	○	○
TIRES						
L3 Radial XHA2	20.5R25 (standard width)	Michelin	●	●	●	●
L3 Radial XHA2	20.5R25 (narrow width, Italy only)	Michelin	-	-	○	○
L3 Radial TB516	20.5R25 (standard width)	Triangle	○	○	○	○
L3 Radial TB516	20.5R25 (narrow width, Italy only)	Triangle	-	-	○	○
L5 Radial X-MINE D2	20.5R25 (standard width)	Michelin	○	○	○	○
L5 Radial X-MINE D2	20.5R25 (narrow width, Italy only)	Michelin	-	-	○	○
L5 Radial XLD D2	20.5R25 (standard width)	Michelin	○	○	○	○
L5 Radial XLD D2	20.5R25 (narrow width, Italy only)	Michelin	-	-	○	○
L5 Radial TB538S+	20.5R25 (standard width)	Triangle	○	○	○	○
L5 Radial TB538S+	20.5R25 (narrow width, Italy only)	Triangle	-	-	○	○
L2 Radial VSW	20.5R25 (narrow width)	Bridgestone	○	○	○	○
AG Radial 370	620/70R26	Alliance	○	○	○	○
AG Radial 344	750/55R26.5	Alliance	-	-	○	○
AG Radial MEGAXBIB	750/65R26	Michelin	-	-	○	○
SOLID - S2C2	20.5R25	SG Revol.	-	-	○	○
LOADER LINKAGE & ATTACHMENTS						
Standard Z-Bar linkage			●	-	●	-
XR - Extended reach linkage			-	-	○	-
XT - Parallel linkage			-	●	-	●
Bucket, pin-on, 2.3 m ³ , 2490 mm wide			○	-	-	-
Bucket, pin-on, 2.6 m ³ , curved side edges (rehandling, Z-Bar only)			○	-	-	-
Bucket, with hydraulic quick coupler, 2.1 m ³ , 2490 mm wide			○	○	-	-
Bucket, pin-on, 2.7 m ³ , 2690 mm wide			-	-	○	○
Bucket, pin-on, 2.5 m ³ , 2474 mm wide			-	-	○	○
Bucket, pin-on, 3.0 m ³ , straight side edges (G.P., Z-Bar only)			-	-	○	○
Bucket, pin-on, 3.2 m ³ , curved side edges (rehandling, Z-Bar only)			-	-	○	○
Bucket, with hydraulic quick coupler, 2.7 m ³ , 2690 mm wide			-	-	○	○
Bucket, with hydraulic quick coupler, 2.5 m ³ , 2474 mm wide			-	-	○	○
Hydraulic quick coupler			○	○	○	○
Fork with hydraulic quick coupler			○	○	○	○
Bucket teeth			○	○	○	○
Bolt-on reversible cutting edge			○	○	○	○
Teeth + bolt-on cutting edge segments			○	○	○	○
Bucket teeth guard L=2490 mm			○	○	○	○

● Standard | ○ options | - N/A

STANDARD AND OPTIONS

FEATURES - 821G - 921G

	821G	921G
	Z-BAR/XR	Z-BAR/XR
ENGINE		
Engine FPT N67 Stage V	●	●
Exhaust gases after-treatment Selective Catalyst Reduction on Filter	●	●
Engine working modes selection (Smart/Max)	●	●
Air intake rain cap cover (no pre-cleaner)	●	●
Air intake pre-cleaner	○	○
Air intake pre-cleaner with dust ejector (Sy-Klone)	○	○
Standard weather start package	●	●
Cold weather start package	○	○
Standard weather package with biodegradable hydraulic oil	○	○
Cold weather package with biodegradable hydraulic oil	○	○
Exclusive cooling radiators package (cooling cube) with variable speed reversable hydraulic-driven fan	●	●
Heavy duty cooling cube, wider radiators cores with variable speed reversable hydraulic-driven fan	○	○
Remote jump start	●	●
TRANSMISSION & AXLES		
Powershift Transmission, automatic control 4-speed forward / 3-speed reverse	●	●
Powershift Transmission, automatic control 5-speed forward / 3-speed reverse with torque converter lock-up and proportional clutch cut-off	○	○
Transmission control lever on steering column	●	●
Forward-Neutral-Reverse rocker switch on hydraulic control lever	●	●
Transmission speed limiter 20 km/h	○	○
Passive parking brake, electrically disengagement, automatically engaged at engine shut-off	●	●
Heavy duty axles with limited slip differential front and rear	●	●
Heavy duty axles with front differential lock and open rear differential	○	○
Heavy duty axles with front differential lock and rear LSD	○	○
TIRES		
L3 Radial XHA2 23.5R25 Michelin	●	●
L3 Radial TB516 23.5R25 Triangle	○	○
L5 Radial X-MINE D2 23.5R25 Michelin	○	○
L5 Radial XLD D2 23.5R25 Michelin	○	○
L5 Radial TB538S 23.5R25 Triangle	○	○
L2 Radial VSW 23.5R25 Bridgestone	○	○
AG Radial 370 620/70R26 Alliance	○	○
AG Radial 344 750/55R26.5 Alliance	-	○
AG Radial CEREXBIB 710/65R30 Michelin	-	○
SOLID - S2C2 23.5R25 SG Revolution	-	○
LOADER LINKAGE & ATTACHMENTS		
Standard Z-Bar linkage	●	●
XR - Extended reach linkage	○	○
Bucket, pin-on, 3.4 m ³ , 2946 mm wide	○	-
Bucket, pin-on, 3.6 m ³ , curved side edges (rehandling, Z-Bar only)	○	-
Bucket, with hydraulic quick coupler, 3.4 m ³ , 2946 mm wide	○	○
Bucket, pin-on, 4.2 m ³ , curved side edges (rehandling, Z-Bar only)	-	○
Hydraulic quick coupler	○	○
Fork with hydraulic quick coupler	○	○
Bucket teeth	○	○
Bolt-on reversable cutting edge	○	○
Teeth + bolt-on cutting edge segments	○	○
Bucket teeth guard L=2490 mm	○	○

STANDARD AND OPTIONS

FEATURES - 1021G - 1121G

	1021G	1121G
	Z-BAR/XR	Z-BAR/XR
ENGINE		
Engine FPT Cursor 9 Stage V	●	●
Exhaust gases after-treatment Selective Catalyst Reduction on Filter	●	●
Engine working modes selection (Smart/Max)	●	●
Air intake rain cap cover (no pre-cleaner)	●	●
Air intake pre-cleaner	○	○
Air intake pre-cleaner with dust ejector (Sy-Klone)	○	○
Standard weather start package	●	●
Cold weather start package	○	○
Standard weather package with biodegradable hydraulic oil	○	○
Cold weather package with biodegradable hydraulic oil	○	○
Exclusive cooling radiators package (cooling cube) with variable speed reversable hydraulic-driven fan	●	●
Heavy duty cooling cube, wider radiators cores with variable speed reversable hydraulic-driven fan	○	○
Remote jump start	●	●
TRANSMISSION & AXLES		
Powershift Transmission, automatic control 4-speed forward / 3-speed reverse	●	●
Transmission control lever on steering column	●	●
Forward-Neutral-Reverse rocker switch on hydraulic control lever	●	●
Transmission speed limiter 20 km/h	○	○
Passive parking brake, electrically disengagement, automatically engaged at engine shut-off	●	●
Heavy duty axles with front differential lock and open rear differential	●	●
Heavy duty axles with front differential lock, open rear differential and axle oil cooler	○	○
TIRES		
L3 Radial XHA2 26.5R25 Michelin	●	●
L3 Radial TB516 26.5R25 Triangle	○	○
L5 Radial X-MINE D2 26.5R25 Michelin	○	○
L5 Radial XLD D2 26.5R25 Michelin	○	○
L5 Radial TB538S 26.5R25 Triangle	○	○
LOADER LINKAGE & ATTACHMENTS		
Standard Z-Bar linkage	●	●
XR - Extended reach linkage	○	○
Bucket, pin-on, 4.4 m ³ , 3000 mm wide	○	-
Bucket, pin-on, 5.0 m ³ , 3150 mm wide	-	○



BUILDING A STRONG CASE.

Since 1842, at CASE Construction Equipment we have lived by an unwavering commitment to build practical, intuitive solutions that deliver both efficiency and productivity.

We continually strive to make it easier for our customers to implement emerging technologies and new compliance mandates.

Today, our global scale combined with our local expertise enables us to keep customers' real-world challenges at the center of our product development.

The vast CASE dealers' network is always ready to support and protect your investment and exceed your expectations, while also providing you with the ultimate ownership experience.

Our goal is to build both stronger machines—and stronger communities. At the end of the day, we do what's right for our customers and our communities so that they can count on CASE.

CASECE.com

NOTE: Standard and optional fittings can vary according to the demands and specific regulations of each country. The illustrations may include optional rather than standard fittings - consult your CASE dealer. Furthermore, CNH Industrial reserves the right to modify machine specifications without incurring any obligation relating to such changes.

Conforms to directive 2006/42/EC

