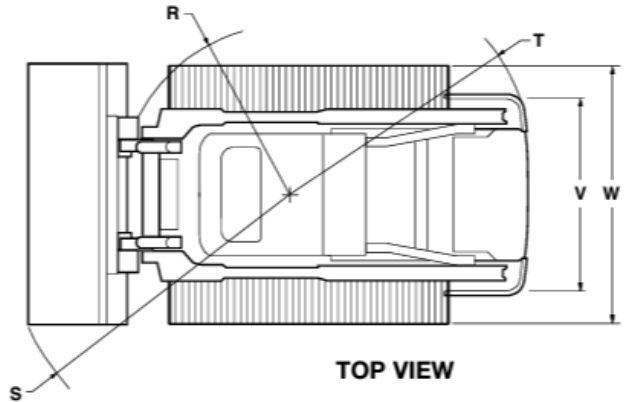
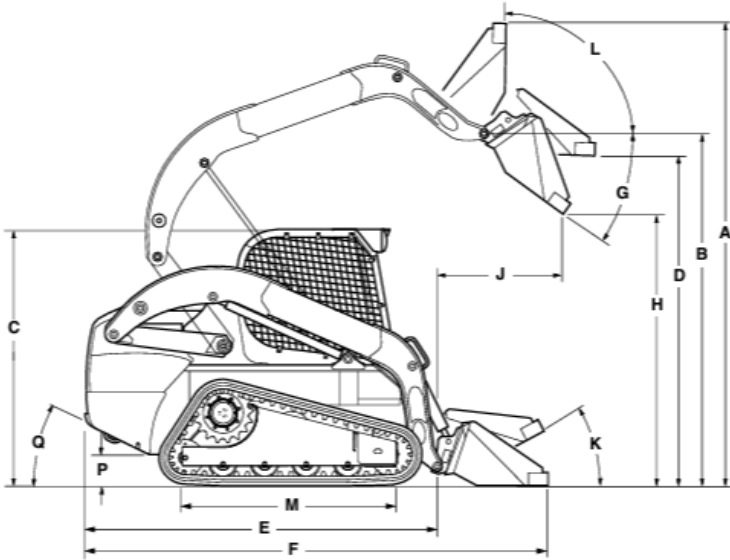


C345



| DIMENSIONS | | | |
|---------------------------------|--|---------|--------------------|
| Overall operating height | | | |
| A | with foundry/excavating bucket short | in (mm) | 161.4 (4100) |
| A | with low profile/standard bucket | in (mm) | 165.6 (4207) |
| A | with low profile extended/long bucket | in (mm) | 170.4 (4329) |
| Height to | | | |
| B | Bucket hinge pin | in (mm) | 131.6 (3342) |
| C | Top of ROPS | in (mm) | 80.4 (2043) |
| D | Bottom of level bucket, fully raised | in (mm) | 123.2 (3129) |
| Overall Length | | | |
| E | without attachment with coupler | in (mm) | 120.2 (3054) |
| F | with foundry excavation bucket on ground | in (mm) | 144.6 (3673) |
| F | with low profile bucket | in (mm) | 148.8 (3781) |
| F | with low profile extended bucket | in (mm) | 153.7 (3904) |
| Dump | | | |
| G | Dump angle | degrees | 45.3 |
| H | Dump height | | |
| | with foundry/excavating bucket short in (mm) | in (mm) | 104.1 (2645) @ 45° |
| | with low profile/standard bucket | in (mm) | 101.1 (2568) @ 45° |
| J | Dump reach (max height) | in (mm) | 31.6 (802) @ 45° |

| Maximum attachment rollback | | | |
|-----------------------------|--|--|-------------|
| K | Bucket on ground | degrees | 32 |
| L | Bucket at full height | degrees | 83.1 |
| Track and clearance | | | |
| M | Track on ground | in (mm) | 64.5 (1639) |
| P | Ground clearance (bottom of belly pan) | in (mm) | 9.6 (244) |
| Q | Angle of departure | in (mm) | 32 |
| Clearance circle | | | |
| R | Without bucket | in (mm) | 57.7 (1465) |
| S | With foundry bucket in carry position | in (mm) | 88 (2234) |
| S | With low profile bucket on ground | in (mm) | 91.8 (2331) |
| S | With extended low profile bucket on ground | in (mm) | 96.2 (2444) |
| T | Clearance circle rear | in (mm) | 67.9 (1725) |
| V | Track gauge | in (mm) | 58.6 (1488) |
| W | Overall width | in (mm) | 76.5 (1943) |
| ENGINE | | | |
| Manufacturer/model | | FPT / F5BFL413E*B002* | |
| Type | | Diesel 4-stroke, turbo, D.I. | |
| Bore/stroke | in (mm) | 3.9 x 4.3 (99 x 110) | |
| Displacement | in ³ (L) | 207 (3.4) | |
| Fuel injection | | HPCR Direct | |
| Fuel | | #2 diesel | |
| Fuel filter | | Pre-filter 99.8% @ 30 microns, Main filter 95% @ 4 microns | |
| Air intake | | Turbocharged Aftercooled with external EGR and SCR | |
| Cooling | | Liquid | |
| Engine Speeds | | | |
| High idle - no load | | rpm | 2500 +/- 25 |
| Rated - full load | | rpm | 2500 |
| Low idle | | rpm | 1150 +/- 25 |

| Horsepower per SAE J1349 | | |
|---|----------------------|---|
| | Gross hp (kW) | 90 (67) @ 2500 rpm |
| | Net hp (kW) | 84 (63) @ 2500 rpm |
| Peak torque | lb-ft (N•m) | 282 (383) @ 1400 rpm |
| POWER TRAIN | | |
| Drive pump electro hydraulic | | |
| Pump to engine ratio | | 1:1 |
| Displacement | in ³ (L) | 2.75 (45) |
| Flow | gpm (lpm) | 29.4 (111) |
| Charge pressure | psi (bar) | 360 (24.5) |
| System relief | psi (bar) | 5220 (360) |
| Control | | Mechanical or Electro hydraulic |
| Drive Motors | | |
| Effective max displacement | in ³ (cc) | 3.10 (50.9) |
| Effective Displacement opt high speed | in ³ (cc) | - |
| Speed @ high idle engine | rpm | 103 |
| Speed @ optional high speed | rpm | 156 |
| Torque @ max displ. and relief pressure | lb-ft (N•m) | 4654 (6310) |
| Travel Speed | | |
| Low range | mph (km/h) | 5.5 (8.9) |
| High range | mph (km/h) | 8.0 (12.9) |
| Final drive | mph (km/h) | Planetary gearbox with 2-speed motor |
| Parking Brake | | |
| Type | | Spring applied, hydraulic release disc |
| Engagement | | Depress on/off brake button on instrument panel, disconnect lapbelt, get off seat, or stop engine |
| UNDERCARRIAGE | | |
| System | | Zig Zag Pattern |
| Idlers / rollers per side | | 2/4 |
| Ground Pressure | | |
| PSI (with spec belt) | | 4.2 |

| HYDRAULIC SYSTEM | | |
|------------------------------------|----------------------|--------------------------------|
| Pumps | | |
| Type | | Gear |
| Displacement standard aux. | in ³ (cc) | 2.23 (36.6) |
| Displacement high flow aux. | in ³ (cc) | 1.45 (23.7) |
| Standard pump flow | gpm (Lpm) | 24.2 (91.5) |
| Optional high flow | gpm (Lpm) | 39.9 (150.8) |
| Enhanced high flow | gpm (Lpm) | 35 (132.5) |
| Loader control valve | | |
| Type | | 3 spool / open center / series |
| Standard relief pressure | psi (bar) | 3,450 (237) |
| Enhanced high flow relief pressure | psi (bar) | 4000 (276) |
| Hydraulic filter | | 6 microns / spin on |
| CYLINDERS | | |
| Lift Cylinder | | |
| Bore diameter | in (mm) | 2.75 (69.85) |
| Rod diameter | in (mm) | 1.75 (44.5) |
| Stroke in | in (mm) | 35.7 (908) |
| Closed length | in (mm) | 53.9 (1369.1) |
| Bucket Cylinders | | |
| Bore diameter | in (mm) | 3.0 (76.2) |
| Rod Diameter | in (mm) | 1.5 (38.1) |
| Stroke in | in (mm) | 15.9 (405) |
| Closed length | in (mm) | 24.3 (617) |
| Rated Operating Load | | |
| 50% tip | lbs. (kg) | 4500 (2045) |
| 35% tip | lbs. (kg) | 3150 (1432) |
| Tipping load | lbs. (kg) | 9000 (4091) |
| Breakout Forces | | |
| Lift cylinder | lbs. (kN) | 7562 (33.6) |
| Bucket cylinder | lbs. (kN) | 9188 (41.8) |

| Cycle Times | | |
|-------------------------------------|-----------|---------------|
| Raise | sec | 5.1 |
| Lower | sec | 3.5 |
| Dump | sec | 2.7 |
| Roll back | sec | 2.0 |
| Loader control valve | | |
| Type | | - |
| Standard relief pressure | psi (bar) | - |
| Enhanced high flow relief pressure | psi (bar) | - |
| Hydraulic filter | | - |
| WEIGHTS | | |
| Operating weight | lbs (kg) | 10,610 (4823) |
| Shipping weight | lbs (kg) | 10,267 (4657) |
| SERVICE CAPACITIES | | |
| Fuel tank, gal (L) | | 25.5 (96.5) |
| Engine oil with filter, qt (L) | | 8.9 (8.5) |
| System Capacity with filter, qt (L) | | 45.4 (48) |
| DEF tank, gal (L) | | 2.8 (10.7) |