



CASE
CONSTRUCTION

M-SERIES
CRAWLER DOZERS



2050M

M-SERIES

CRAWLER DOZERS

POWER AND EFFICIENCY

Drawbar pulling leadership: The hydrostatic transmission and common rail engine deliver best-in-class pulling capacity and controllability. All the working parameters can be customised by the driver for excellent machine controllability and faster cycle times.

Efficiency boosting electronics: The new cab controls offer a wide choice of electronic settings and automated functions that make the driver's job easier. Together with the lowest noise level in the market, they minimise fatigue on long working days.

Customise your dozer: The M-Series offers a wide choice of attachments such as blades, tracks, rippers, or winches. You can easily specify the configuration that perfectly meets your needs.

Quick maintenance: The fully openable side panels enable you to service the M-Series from the ground, while the wide belly plates provide perfect accessibility for extraordinary maintenance.

NEXT GENERATION ENGINE

The state-of-the-art common rail engine delivers **top performance in load response, max torque, power and fuel economy**. The combustion is optimised for maximum efficiency, occurring at high temperatures and using 100% fresh, cool air, as the air intake is separated from the exhaust. The turbocharged engine with an Air-to-Air intercooler relies on well-proven multi injection technology to maximize torque back-up and fuel efficiency with reduced engine noise and vibrations.



NEVER ENDING POWER

The powerful FPT Industrial engine ensures high torque back-up under load. When the tractive effort grows and the rpm tends to drop, the engine power increases by up to 16% to reach 1800 rpm. The result is constant performance and higher pulling capacity. In addition, the ability to work with high torque at lower engine rpm reduces engine wear.



BOOST YOUR PRODUCTIVITY

DUAL PATH HYDROSTATIC TRANSMISSION

The innovative Hydrostatic Transmission offers Best-in-Class pulling capacity coupled with excellent maneuverability. The triple reduction final drives ensure high torque on the ground, reducing the working pressure of the entire system and improving its overall efficiency.

“V” SHAPE COOLING PACKAGE

The cooling package of the 2050M has been redesigned and fitted with a hydrostatic reversible fan. In the new design, the radiators are mounted with no overlap, so that each radiator receives fresh air, maintaining constant fluid temperatures. The hydrostatic fan continuously adapts its speed to match the real cooling demand, reducing power absorption. The reversing mode reduces maintenance needs and lengthens cleaning intervals.



CASE EXTENDED LIFE TRACK

The CASE Extended Life Track (CELT), option on the 2050M is built with a single piece Sprocket ring with a special Tooth profile & open shoes. This feature substantially improves durability, especially in highly abrasive conditions.

M-SERIES CRAWLER DOZERS

AGILE AND STRONG

The operator has full control of the massive power of the M-Series Dozer. The electrohydraulic joystick allows to customize reversing and steering sensitivity for faster and more efficient cycles. The decelerator pedal can be used either to reduce only travel speed or both travel and engine speed.



AUTOMATIC BLADE FUNCTIONS

The advanced electronics functions enable the operator to perform specific functions in addition to the standard blade movements. The onboard computer can be set directly from the joystick; the blade reaction can be set choosing from 3 levels of sensitivity; the grading button immediately reduces the speed of the blade by 50% for more accurate soil contour; the shaking mode enables the operator to shed material quickly, especially when working with sticky soil.

UNMATCHED VISIBILITY

The M-Series cab is engineered for operator performance, comfort and safety. The new positioning, further forward on the machine, ensures complete blade visibility. The operator can work with confidence and more productively in every operation. The air suspended seat is easy to adjust, providing every operator with a perfect working position. The powerful air conditioning system combined with best-in-class noise level provide an excellent working environment, reducing operator stress during long working days.



FULLY INTEGRATED BLADE CONTROL

The M-Series is ready to work with the most common blade controls available in the market. The machine can be prepared in the factory to a specific configuration, ensuring perfect wire layout, visibility and component integration, guaranteeing that the high standard of reliability of every CASE product is maintained.



READY FOR EVERY TASK

A wide offering of implements and equipment, such as the 3 shank parallel ripper, can be installed on the new CASE Dozers. A “Semi-U blade” with 2050M is available for Indian market. All CASE dozers offer the patented «Equistatic» system that increases the tilting capability, while reducing the efforts on the pushbeams, increasing the overall frame reliability and reducing the overall wear of components.



M-SERIES CRAWLER DOZERS

SIMPLE AND EASY

The hydrostatic transmission means less complexity and lower maintenance requirements than a traditional one. Belly plates on the bottom of the machine provide excellent access to controls and transmission components. The final drive installation on the main dozer frame enables dismounting while leaving the hydrostatic components in place. The transmission can even be reached through the cab floor, so it can be serviced directly on the job site.



FAST REFUELING

The refilling points (Fuel /Hydraulic Oil) are conveniently placed on the rear of the cab in a well-protected place. The daily maintenance can be done quickly, thanks to dedicated steps that make the access easier and safer.

GROUND ACCESS FOR SERVICING

The new single piece main frame enables you to service the main controls easily from the ground, simply opening the wide lateral shieldings. Oil levels, battery status, electric components, filters and the emergency cut-off switch are rationally grouped and clearly identified with colour coding. With the M-Series, you can quickly get ready for your working day.



M-SERIES 2050M

CRAWLER DOZERS

ENGINE

Model	FPT Industrial Engine F4HE96848
Cylinders	6
Displacement	6.7 L
	Tier 3
Fuel injection	Direct common rail
Fuel filter	Screw-on, with screen
Air intake	Cross-flow
Cooling	Liquid
Engine speeds	RPM
High idle - no load	2200 +/- 50
Rated - full load	2200
Low idle	800 +/- 25
Horsepower @2200 rpm SAEJ1349	
Net	160 kW
	Imperial 214 hp
	Metric 218 hp
Gross	173 kW
	Imperial 232 hp
	Metric 235 hp
Horsepower @1800 rpm SAEJ1349	
Gross Peak	184 kW
	Imperial 247 hp
	Metric 250 hp
Max torque	1082 Nm @ 1500rpm
Engine lubrication	
Pump	Deep sump plate cooler
	w/ pressurized under-piston nozzles
Pump operating angle ratings	
Side-to-side	35°
Fore and aft	45°
Radiator	
Core size area	0.33 m ²
Rows of tubes	2

TRANSMISSION COOLING

Type	Oil to air
Core size	0.31 m ²

ELECTRICAL SYSTEM

Alternator	120 amps
Battery	12 Volt, low maintenance
	1000 cold-cranking amps @ -18° C

POWERTRAIN

Dual path hydrostatic	
Pump	Variable axial piston
Motor	Variable bent axis piston
Max. drawbar pull	360 kN
Transmission	Single lever control electronic tracking
Oil filter	4 micron, spin-on, replaceable
Travel speeds	
Forward	0-9.3 km/h
Reverse	0-9.3 km/h
Parking brakes heavy-duty	
(Spring applied hydraulically released)	
Steering brakes	Hydrostatic
Oil Final drive	2 helical gear reductions to planetary reduction
Reduction ratio	48.75:1

BLADE

Variable blade pitch - adjustable	55° to 60°
Lift speed - per second	483 mm
Cutting edge	Reversible, replaceable
Width (blade HSU)	200 mm
Thickness	20 mm

HYDRAULICS

Pump Flow@2200 RPM	153 L/min
Max Pressure	248 bar
HSU Blade lift cylinder	
Bore diameter	82.6 mm
Rod diameter	50.8 mm
Stroke	1000 mm
HSU Blade tilt cylinder	
Bore diameter	114.3mm
Rod diameter	63.5 mm
Stroke	126 mm
PAT Blade lift cylinder	
Bore diameter	114 mm
Rod diameter	63.5 mm
Stroke	428.8 mm
PAT Tilt cylinder	
Bore diameter	114.3 mm
Rod diameter	63.5 mm
Stroke	502.7 mm

UNDERCARRIAGE

Track adjustment	Grease injection
Hydraulic frame	Oscillating equalizer beam suspension and pivot shaft
Track link pitch	
CLT track	203.2 mm
CELT track	203.2 mm
Track shoe height	73 mm
Pin diameter	44.5 mm
Bushing diameter	
CLT track	72.7 mm
CELT track	93 mm
Track shoes per side	
CLT/CELT track	45
Track rollers per side	8
Carrier rollers per side	2
Track roller rail diameter	187.6 mm

TRACK AND SHOE OPTIONS

XLT (EXTRA LONG TRACKS)	
610 mm	closed grousers and CLT
610 mm	open grousers and ECLT

TRACK ON GROUND

Shoe area	
610 mm	39979 cm ²

RIPPER

Max. penetration	438 mm
Width	1953 mm
Cut width	1889.8 mm
Max. ground clearance	518 mm
Max. number of shanks	3
Tooth spacing w/3 teeth	930 mm
Hydraulic cylinder	Double-acting
Diameter	133.4 mm
Stroke	597 mm
Rod	70 mm

SERVICE CAPACITY

Fuel tank	405 L
Engine oil w/filter	16.4 L
Engine oil w/o filter	15.6 L
Engine cooling system	30.8 L
Hydraulic reservoir	210 L
Final drive - per side	25 L
Track rollers - each	0.275 L
Front idlers - each	0.225 L
Carrier rollers - each	0.334 L

SPECIFICATIONS

OPERATING WEIGHT

2050M	
Cab	Front pull hook
Full fuel tank	Rear retrieval hitch
Hydraulics tanks	Track guides
Operator	170 lb (77 kg)
CLT chain	Horn
Lights	Track shoe
C- frame	Blade width as noted
WEIGHT (KG)	
Extra Long Tracks	20592 kg Semi-U
	20599 kg with PAT
ADD-ON WEIGHTS	
Drawbar	66 kg
Ripper(3 shank)	1859 kg
Winch	2500 kg
CELT CHAIN-PER TRACK	
24" (610 mm)	1789 kg
Additional weights vs CLT- per track	43 kg
Center rock guard	306 kg
Sweeps	63 kg

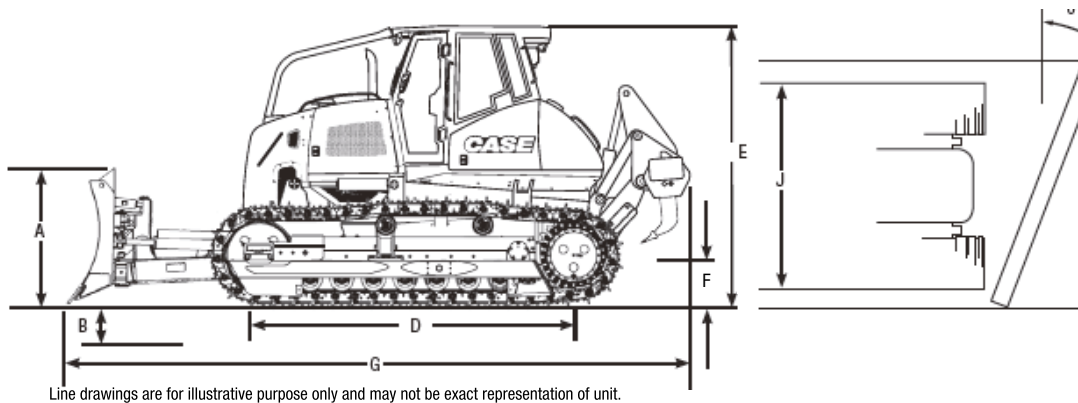
OPERATOR ENVIRONMENT

ROPS/FOPS cab - pneumatically suspended seat - w/back adjustment - seat belt - arm rests - foot rests - tool storage area - headliner - floor mat - tilting seat platform - noise level 78dbA.

Warning lights - Air filter - alternator - diagnostic fault indicator - engine coolant temperature - engine oil pressure - hydraulic filter - low fuel level - park brake engaged - service soon indicator - transmission filter - transmission charge pressure.

Gauges - Battery voltage - digital hour meter/tachometer diagnostic/service reminder - fuel level - transmission oil temperature - transmission speed indicator - water temperature.

Audible alarms - Engine coolant temperature - engine oil pressure - low fuel level - transmission charge pressure - transmission/hydraulic temperature.



GENERAL DIMENSIONS		2050M HSU Blade	2050M PAT Blade
A	Blade height	mm	1413
	Max. Tilt	mm	+/- 433
	Max. Pitch	°	+/- 5
B	Digging depth	mm	583
	Max. Lift above ground	mm	1244
C	Max. Angle	°	-
D	Track on ground	mm	3277
	Area of track of ground	m ²	4.0
	Ground pressure	kg/cm ²	0.51
E	Height to top of cab	mm	3103
F	Ground clearance	mm	362
G	Length	mm	2438
	Blade straight with drawbar	mm	5387
	Blade straight with ripper	mm	6869
H	Blade width	mm	3423
	Width of the blade fully placed on the ground	mm	3423
I	Blade angle of attack	°	25.7
J	Over track width (610 mm shoes)	mm	2550
M	Cast reach	mm	438
N	Cut reach	mm	438
	Track Gauge	mm	1940
	Max. shoe width	mm	610
	Blade Capacity SAE J1265	m ³	5.6
	Undercarriage available	mm	XLT

STANDARD AND OPTIONAL EQUIPMENT

STANDARD EQUIPMENT

ENGINE

FPT Industrial engine NEF Family
Integral
engine oil cooling
Fuel filter
Dual element radial seat air cleaner
120 amp alternator
2 x 12 V batteries
Engine side panels

BLADE

50°- 60° variable pitch with Integral Adjustment Tool, Single Lever, Electro-Hydraulic control for blade lift, angle, or tilt "Equistatic" device for dozer version

POWER TRAIN

Dual path infinitely variable, single-lever
controlled Hydrostatic drive with Electronic
Straight Tracking and Counter-rotation
Forward/reverse ratio control
3 pre-selectable steering sensitivities
3 reversing sensitivities
3 blades sensitivities
Blade Shaking Mode
Fine grading mode
Triple reduction final drive: helical gear/planetary
Decelerator with hydrostatic drive retardation
Automatic spring applied parking brake

UNDERCARRIAGE

Hydraulic track adjusters
Case Extended Life Track (CELT)
Chain
Permanently lubricated (track and carrier rollers/idlers
Track adjuster guard
Track guides - front and rear

OPERATOR ENVIRONMENT

Cab with heater, A/C, defroster, windshield
wiper and lights
Seat belt
76 mm Internal mirror

OTHER

Reverse gear warning
Horn
Lights: 2 in front and 1 in rear
Master disconnect switch
Mirror
Rear transmission guard

OPTIONAL EQUIPMENT

REAR MOUNTED EQUIPMENT

Ripper - 5 positions with 3 shanks
Rear tow hook
Rear drawbar

HYDRAULICS

4 spool hydraulic valve for field-installed ripper
3 spool hydraulic valve without plugs for field-installed ripper
3 spool hydraulic valve with plugs

GUARDS

CAB canopy brush guard
Center rockguard
Sweeps

SCREENS

Cab rear screen
Radiator brush screen

OPERATOR ENVIRONMENT

Environmental drain
Grid heater
Additional work lights
Front pull hook
Rear view mirror
Rear wiper for cab

GUARDS

CAB canopy brush guard
Center rockguard
Sweeps

SCREENS

Cab rear screen
Radiator brush screen

OPERATOR ENVIRONMENT

Environmental drain
Grid heater
Additional work lights
Front pull hook
Rear view mirror
Rear wiper for cab







BUILDING A STRONG CASE.

Since 1842, at CASE Construction Equipment we have lived by an unwavering commitment to build practical, intuitive solutions that deliver both efficiency and productivity.

We continually strive to make it easier for our customers to implement emerging technologies and new compliance mandates.

Today, our global scale combined with our local expertise enables us to keep customers' real-world challenges at the center of our product development.

The vast CASE dealers' network is always ready to support and protect your investment and exceed your expectations, while also providing you with the ultimate ownership experience.

Our goal is to build both stronger machines—and stronger communities. At the end of the day, we do what's right for our customers and our communities so that they can count on CASE.

CaseCE.com

NOTE: Standard and optional fittings can vary according to the demands and specific regulations of each country. The illustrations may include optional rather than standard fittings - consult your Case dealer. Furthermore, CNH Industrial reserves the right to modify machine specifications without incurring any obligation relating to such changes.

Conforms to directive 2006/42/EC

