



CASE
CONSTRUCTION

E SERIES CRAWLER EXCAVATORS



CX210E

SPECIFICATIONS

CX210E

ENGINE

Model _____ FPT NEF6
 Type _____ Water-cooled, 4-cycle diesel, 6-cylinder
 in line, High pressure common rail system (electric control),
 Turbocharger with air cooled intercooler, SCRoF, EGR free.
 Number of cylinders / Displacement (l) _____ 6 / 6.7
 Emissions level _____ Stage V
 Bore and stroke (mm) _____ 104 x 132

Rated flywheel horse power

ISO 9249 (kW) _____ 120.4 at 1800 min⁻¹ (rpm)
 ISO 14396 (kW) _____ 124.0 at 1800 min⁻¹ (rpm)

Maximum torque

ISO 9249 (Nm) _____ 644 at 1600 min⁻¹ (rpm)
 ISO 14396 (Nm) _____ 657 at 1600 min⁻¹ (rpm)

HYDRAULIC SYSTEM

Main pumps _____ 2 variable displacement
 axial piston pumps with regulating system
 Max. oil flow (l/min) _____ 2 x 211 at 1800 min⁻¹

Working circuit pressure

Boom/Arm/Bucket (MPa) _____ 34.3 - 37.3 with auto power boost
 Swing circuit (LC/NLC) (MPa) _____ 29.4
 Swing circuit (LR) (MPa) _____ 24.0
 Travel circuit (MPa) _____ 34.3
 Pilot pump (l/min) _____ 18
 Working circuit pressure (MPa) _____ 3.9

Boom cylinders

Bore (mm) _____ 120
 Stroke (mm) _____ 1255

Boom positioning (2-piece boom only)

Bore (mm) _____ 150
 Stroke (mm) _____ 1090

Arm cylinder

Bore (LC/NLC) (mm) _____ 140
 Bore (LR) (mm) _____ 145
 Stroke (LC/NLC) (mm) _____ 1460
 Stroke (LR) (mm) _____ 1627

Bucket cylinder

Bore (LC/NLC) (mm) _____ 120
 Bore (LR) (mm) _____ 95
 Stroke (LC/NLC) (mm) _____ 1010
 Stroke (LR) (mm) _____ 881

PERFORMANCE DATA MONO LC-NLC

	mm	Arm 2.40 m	Arm 2.94 m
Boom length	mm	5700	5700
Bucket radius	mm	1450	1450
Bucket wrist action	°	177	177
A Maximum reach at GRP (LC/NLC)	mm	9240 / 9230	9730
B Maximum reach	mm	9420	9900
C Max. digging depth (LC/NLC)	mm	6110 / 6080	6640 / 6620
D Max. digging height (LC/NLC)	mm	9400 / 9420	9610 / 9640
E Max. dumping height (LC/NLC)	mm	6590 / 6620	6810 / 6840
F Min. swing radius	mm	3620	3660

DIGGING FORCE (ISO 6015)

	kN	Arm 2.40 m	Arm 2.94 m
Arm digging force	kN	123	103
with auto power boost	kN	133	112
Bucket digging force	kN	142	142
with auto power boost	kN	154	154

SWING

Swing motor _____ Fixed displacement axial piston motor
 Maximum swing speed (LC/NLC) (min⁻¹) _____ 7.8
 Maximum swing speed (LR) (min⁻¹) _____ 6.0
 Swing torque (LC/NLC) (kNm) _____ 64
 Swing torque (LR) (kNm) _____ 52.2

FILTERS

Suction filter (µm) _____ 105
 Return filter (µm) _____ 6
 Pilot line filter (µm) _____ 8

ELECTRICAL SYSTEM

Voltage (V) _____ 24
 Alternator (Amp) _____ 90
 Starter (V - kW) _____ 24 - 4.0
 Battery _____ 2 x 12 V 92 Ah/5HR

UNDERCARRIAGE

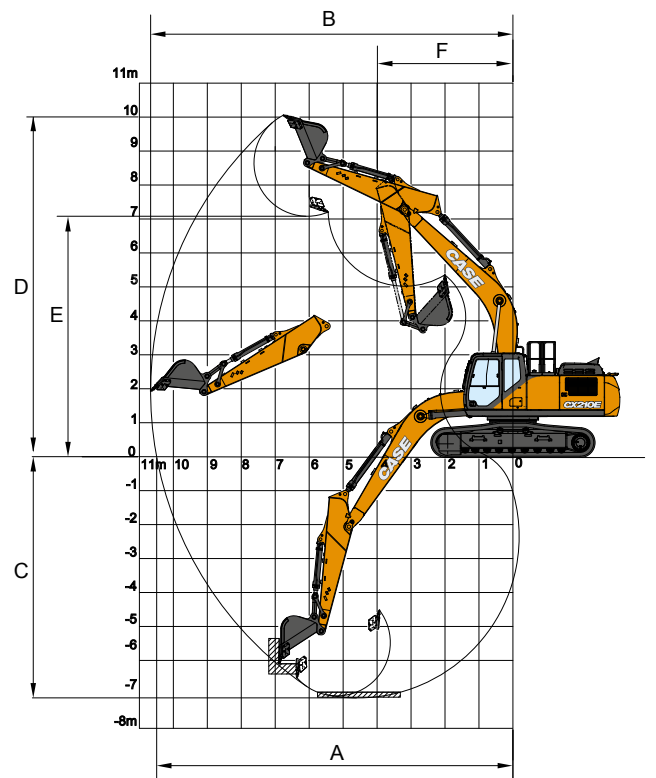
Travel motor _____ Variable displacement axial piston motor
 High travel speed (Automatic travel speed shifting) (km/h) _____ 5.6
 Low travel speed (km/h) _____ 3.4
 Drawbar pull (LC/NLC) (kN) _____ 188 / 187
 Number of carrier rollers (each side) _____ 2
 Number of track rollers (each side) _____ 8
 Number of shoes (each side) _____ 49
 Type of shoes _____ Triple grouser shoes
 Gradeability _____ 70% (35°)

NOISE

External guaranteed sound level
 (EU Directive 2000/14/EC) (dB(A)) _____ LwA 100
 Operator cab sound pressure level
 (ISO 6396) (dB(A)) _____ LpA 68

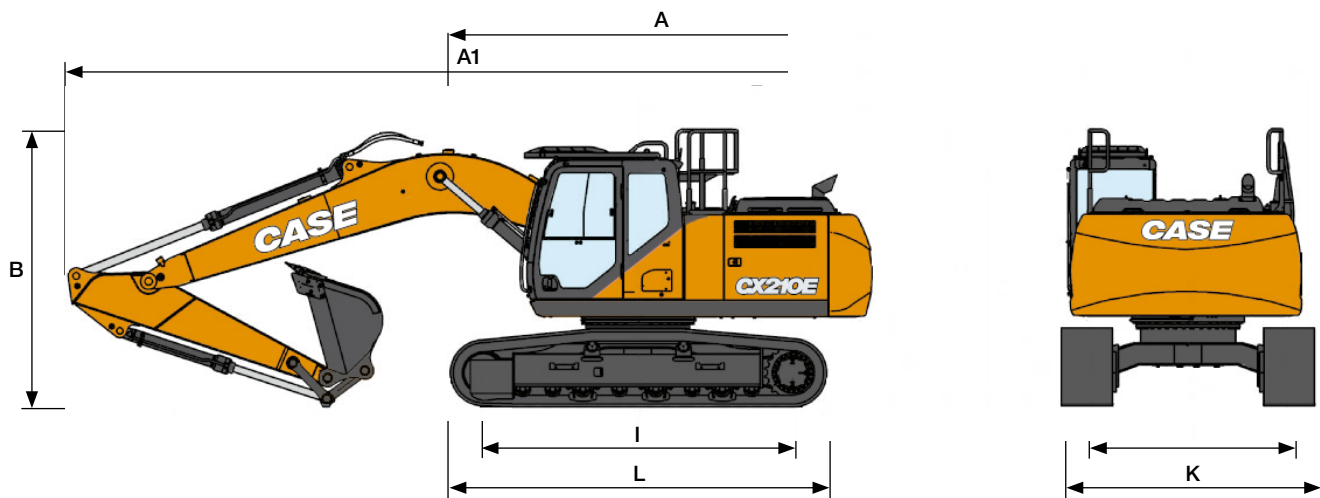
CIRCUIT AND COMPONENT CAPACITIES

	LC	NLC
Fuel tank (l)	410	320
Hydraulic system (l)	280	265
Hydraulic tank (l)	162	145
AdBlue tank (l)	84	60



SPECIFICATIONS

CX210E LC-NLC MONO



GENERAL DIMENSIONS		Arm 2.40 m	Arm 2.94 m
A	Overall length (without attachment) (LC/NLC)	mm 5050 / 5120	5050 / 5120
A1	Overall length (with attachment) (LC/NLC)	mm 9550 / 9630	9470 / 9540
B	Overall height (to top of boom) (LC/NLC)	mm 3170 / 3190	2980 / 2970
C	Cab height (LC/NLC)	mm 3070 / 3100	3070 / 3100
D	Overall height (to top of guardrail) (LC/NLC)	mm 3150 / 3180	3150 / 3180
E	Upper structure overall width (LC/NLC)	mm 2760 / 2520	2760 / 2520
F	Swing (rear end radius) (LC/NLC)	mm 2830 / 2890	2830 / 2890
G	Clearance height under upper structure (LC/NLC)	mm 1040 / 1070	1040 / 1070
H	Minimum ground clearance (LC/NLC)	mm 440 / 430	440 / 430
I	Wheel base (center to center of wheels)	mm 3660	3660
J	Track gauge (LC/NLC)	mm 2390 / 1990	2390 / 1990
K	Undercarriage overall width (LC with 600 mm shoes / NLC with 500 mm shoes)	mm 2990 / 2490	2990 / 2490
L	Crawler overall length (LC/NLC)	mm 4470 / 4460	4470 / 4460
M	Crawler tracks height	mm 920	920

WEIGHT AND GROUND PRESSURE LC

With 2.40 m arm, 1.0 m³ bucket, operator, lubricant, coolant, full fuel tank, FOPS protection level 2 and standard counterweight.

	WEIGHT	GROUND PRESSURE
600 mm grouser shoes	21600 kg	0.045 MPa
700 mm grouser shoes	22040 kg	0.040 MPa
800 mm grouser shoes	22340 kg	0.036 MPa

STD Counterweight: 3800 kg
HEAVY Counterweight: 3800 kg + 500 kg

WEIGHT AND GROUND PRESSURE NLC

With 2.40 m arm, 1.0 m³ bucket, operator, lubricant, coolant, full fuel tank and FOPS protection level 2.

	WEIGHT	GROUND PRESSURE
500 mm grouser shoes	22300 kg	0.056 MPa

Counterweight: 4600 kg

LIFTING CAPACITY

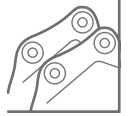
CX210E LC-NLC MONO

		REACH										
		2.0 m		4.0 m		6.0 m		8.0 m		At max reach		
Front	Side											m
LC UNDERCARRIAGE - Short arm 2.40 m, 600 mm shoes, max reach 7.97 m												
8.0 m										5920*	5920*	4.97
6.0 m						5550*	5320			5500*	4340	6.77
4.0 m			8400*	8400*		6250*	5090			5210	3480	7.66
2.0 m			11580*	8410		7360*	4770			4800	3180	7.97
0 m			12570*	8090		7120	4560			4910	3230	7.76
-2.0 m	9990*	9990*	11890*	8130		7090	4530			5720	3740	6.98
-4.0 m			9420*	8420						6710*	5490	5.39
LC UNDERCARRIAGE - Standard arm 2.94 m, 600 mm shoes, max reach 8.45 m												
8.0 m										4170*	4170*	5.72
6.0 m						5030*	5030*			3710*	3710*	7.33
4.0 m			7480*	7480*		5830*	5200	4650*	3320	3660*	3210	8.16
2.0 m			10830*	8670		7050*	4860	4810	3210	3870*	2950	8.45
0 m			12490*	8180		7170	4610	4710	3110	4390*	2980	8.25
-2.0 m	9340*	9340*	12300*	8120		7080	4530			5130	3370	7.53
-4.0 m	17390*	17390*	10440*	8330		6690*	4680			6520*	4590	6.09
LC UNDERCARRIAGE - HEAVY COUNTERWEIGHT - Short arm 2.40 m, 600 mm shoes, max reach 7.97 m												
8.0 m										5920*	5920*	4.97
6.0 m						5550*	5550*			5500*	4600	6.77
4.0 m			8400*	8400*		6250*	5390			5400*	3700	7.66
2.0 m			11580*	8940		7360*	5070			5060	3390	7.97
0 m			12570*	8610		7510	4860			5190	3450	7.76
-2.0 m	9990*	9990*	11890*	8650		7480	4830			6040	3980	6.98
-4.0 m			9420*	8940						6710*	5840	5.39
LC UNDERCARRIAGE - HEAVY COUNTERWEIGHT - Standard arm 2.94 m, 600 mm shoes, max reach 8.45 m												
8.0 m										4170*	4170*	5.72
6.0 m						5030*	5030*			3710*	3710*	7.33
4.0 m			7480*	7480*		5830*	5500	4650*	3530	3660*	3410	8.16
2.0 m			10830*	9190		7050*	5160	5080	3420	3870*	3150	8.45
0 m			12490*	8700		7560	4910	4970	3320	4390*	3190	8.25
-2.0 m	9340*	9340*	12300*	8640		7470	4830			5410	3600	7.53
-4.0 m	17390*	17390*	10440*	8850		6690*	4980			6520*	4890	6.09
NLC UNDERCARRIAGE - Short arm 2.40 m, 500 mm shoes, max reach 7.97 m												
8.0 m										5910*	5910*	5.01
6.0 m						5560*	4940			5500*	4030	6.79
4.0 m			8450*	8450*		6270*	4720			5410*	3250	7.67
2.0 m			11610*	7560		7370*	4410			5240	2970	7.97
0 m			12570*	7260		7770	4210			5380	3020	7.75
-2.0 m	10140*	10140*	11870*	7300		7740	4190			6270	3490	6.96
-4.0 m			9360*	7580						6710*	5100	5.36
NLC UNDERCARRIAGE - Standard arm 2.94 m, 500 mm shoes, max reach 8.45 m												
8.0 m										4170*	4170*	5.75
6.0 m						5030*	5030*			3710*	3630	7.35
4.0 m			7530*	7530*		5850*	4820	4700*	3110	3660*	3000	8.17
2.0 m			10870*	7800		7060*	4500	5250	3000	3870*	2760	8.45
0 m			12500*	7340		7820	4260	5150	2910	4400*	2790	8.24
-2.0 m	9440*	9440*	12290*	7300		7740	4180			5580*	3150	7.51
-4.0 m	17290*	17290*	10400*	7490		6640*	4330			6520*	4280	6.06

* The above loads (kg) are compliant to the ISO standards and refer to the excavator equipped without bucket. The indicated loads are no more than 87% of hydraulic system lift capacity or 75% of static tipping load. Values marked with an asterisk (*) are limited by the hydraulic lifting capacity.

BUCKETS

CX210E LC-NLC MONO



LC DIRECT FIT

Capacity m ³ (ISO7451 HEAPED)	Width mm	Weight kg	Arm 2.40 m	Arm 2.94 m
HEAVY DUTY BUCKETS				
0.45	600	560	○	○
0.60	750	640	○	○
0.76	900	730	○	○
0.85	1000	760	○	○
0.92	1050	800	○	○
0.96	1100	830	○	○
1.08	1200	880	○	●
1.24	1350	970	●	▲
1.40	1500	1040	▲	■

Capacity m ³ (ISO7451 HEAPED)	Width mm	Weight kg	Arm 2.40 m	Arm 2.94 m
ROCK BUCKETS				
0.44	600	710	○	○
0.59	750	800	○	○
0.75	900	880	○	○
0.85	1000	940	○	○
0.91	1050	980	○	○
0.96	1100	1010	○	●
1.07	1200	1060	●	▲
1.23	1350	1150	▲	■

Capacity m ³ (ISO7451 HEAPED)	Width mm	Weight* kg	Arm 2.40 m	Arm 2.94 m
90° TILT DITCH CLEANING BUCKETS**				
0.68	1800	770	○	○
0.76	2000	810	○	○
0.83	2200	880	○	○
0.91	2400	920	○	●
0.95	2500	950	●	●

Capacity m ³ (ISO7451 HEAPED)	Width mm	Weight* kg	Arm 2.40 m	Arm 2.94 m
DITCH CLEANING BUCKETS				
0.86	1830	650	○	○
0.94	2130	710	○	○

Capacity m ³ (ISO7451 HEAPED)	Width mm	Weight* kg	Arm 2.40 m	Arm 2.94 m
GRADING BUCKETS				
0.97	1800	680	○	○
1.17	2100	740	○	●
1.35	2400	830	●	▲

NLC DIRECT FIT

Capacity m ³ (ISO7451 HEAPED)	Width mm	Weight kg	Arm 2.40 m	Arm 2.94 m
HEAVY DUTY BUCKETS				
0.45	600	560	○	○
0.60	750	640	○	○
0.76	900	730	○	○
0.85	1000	760	○	○
0.92	1050	800	○	○
0.96	1100	830	○	●
1.08	1200	880	●	▲
1.24	1350	970	▲	■
1.40	1500	1040	■	—

Capacity m ³ (ISO7451 HEAPED)	Width mm	Weight kg	Arm 2.40 m	Arm 2.94 m
ROCK BUCKETS				
0.44	600	710	○	○
0.59	750	800	○	○
0.75	900	880	○	○
0.85	1000	940	○	○
0.91	1050	980	○	●
0.96	1100	1010	●	●
1.07	1200	1060	●	▲
1.23	1350	1150	▲	■

Capacity m ³ (ISO7451 HEAPED)	Width mm	Weight* kg	Arm 2.40 m	Arm 2.94 m
90° TILT DITCH CLEANING BUCKETS**				
0.68	1800	770	○	○
0.76	2000	810	○	○
0.83	2200	880	○	●
0.91	2400	920	●	●
0.95	2500	950	●	●

Capacity m ³ (ISO7451 HEAPED)	Width mm	Weight* kg	Arm 2.40 m	Arm 2.94 m
DITCH CLEANING BUCKETS				
0.86	1830	650	○	○
0.94	2130	710	○	○

Capacity m ³ (ISO7451 HEAPED)	Width mm	Weight* kg	Arm 2.40 m	Arm 2.94 m
GRADING BUCKETS				
0.97	1800	680	○	○
1.17	2100	740	●	●
1.35	2400	830	▲	■

- Rated material density up to 2 ton/m³
- Rated material density up to 1.6 ton/m³
- ▲ Rated material density up to 1.4 ton/m³
- Rated material density up to 1.2 ton/m³

- Not applicable
- * with bolt-on edge
- **Tilt angle 45° L/R Connect to Low-Flow Auxiliary Hydraulic Circuit

BUCKETS

CX210E LC-NLC MONO



LC QUICK COUPLED

NLC QUICK COUPLED

Capacity m ³ (ISO7451 HEAPED)	Width mm	Weight kg	Arm 2.40 m	Arm 2.94 m
HEAVY DUTY BUCKETS				
0.45	600	560	○	○
0.60	750	640	○	○
0.76	900	730	○	○
0.85	1000	760	○	○
0.92	1050	800	○	●
0.96	1100	830	●	●
1.08	1200	880	●	▲
1.24	1350	970	▲	■
1.40	1500	1040	■	—

Capacity m ³ (ISO7451 HEAPED)	Width mm	Weight kg	Arm 2.40 m	Arm 2.94 m
HEAVY DUTY BUCKETS				
0.45	600	560	○	○
0.60	750	640	○	○
0.76	900	730	○	○
0.85	1000	760	○	●
0.92	1050	800	●	●
0.96	1100	830	●	▲
1.08	1200	880	▲	■
1.24	1350	970	■	—

Capacity m ³ (ISO7451 HEAPED)	Width mm	Weight kg	Arm 2.40 m	Arm 2.94 m
ROCK BUCKETS				
0.44	600	710	○	○
0.59	750	800	○	○
0.75	900	880	○	○
0.85	1000	940	○	●
0.91	1050	980	●	●
0.96	1100	1010	●	▲
1.07	1200	1060	▲	■
1.23	1350	1150	■	—

Capacity m ³ (ISO7451 HEAPED)	Width mm	Weight kg	Arm 2.40 m	Arm 2.94 m
ROCK BUCKETS				
0.44	600	710	○	○
0.59	750	800	○	○
0.75	900	880	○	●
0.85	1000	940	●	●
0.91	1050	980	●	▲
0.96	1100	1010	▲	■
1.07	1200	1060	■	—

Capacity m ³ (ISO7451 HEAPED)	Width mm	Weight* kg	Arm 2.40 m	Arm 2.94 m
DITCH CLEANING BUCKETS				
0.86	1830	650	○	○
0.94	2130	710	○	●

Capacity m ³ (ISO7451 HEAPED)	Width mm	Weight* kg	Arm 2.40 m	Arm 2.94 m
DITCH CLEANING BUCKETS				
0.86	1830	650	○	●
0.94	2130	710	●	●

Capacity m ³ (ISO7451 HEAPED)	Width mm	Weight* kg	Arm 2.40 m	Arm 2.94 m
GRADING BUCKETS				
0.97	1800	680	○	●
1.17	2100	740	●	▲
1.35	2400	830	▲	■

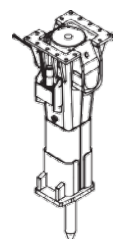
Capacity m ³ (ISO7451 HEAPED)	Width mm	Weight* kg	Arm 2.40 m	Arm 2.94 m
GRADING BUCKETS				
0.97	1800	680	●	●
1.17	2100	740	▲	■
1.35	2400	830	■	—

HAMMER

CX210E

DIRECT FIT

Model	Instal weight kg	Reference machine setting		Arm 2.40 m	Arm 2.94 m
		Flow l/min	Relief pressure MPa		
CB BREAKER					
CB240S	1150	115	19-21	□	□
CB290S	1500	145	21-22	□	□



□ Applicable
— Not applicable

□ Applicable with condition
(only light duty works as residential construction or utilities maintenance)

BUCKETS

CX210E LC - HEAVY COUNTERWEIGHT



LC DIRECT FIT

Capacity m ³ (ISO7451 HEAPED)	Width mm	Weight kg	Arm 2.40 m	Arm 2.94 m
HEAVY DUTY BUCKETS				
0.45	600	560	○	○
0.60	750	640	○	○
0.76	900	730	○	○
0.85	1000	760	○	○
0.92	1050	800	○	○
0.96	1100	830	○	○
1.08	1200	880	○	○
1.24	1350	970	●	●
1.40	1500	1040	●	▲

Capacity m ³ (ISO7451 HEAPED)	Width mm	Weight kg	Arm 2.40 m	Arm 2.94 m
ROCK BUCKETS				
0.44	600	710	○	○
0.59	750	800	○	○
0.75	900	880	○	○
0.85	1000	940	○	○
0.91	1050	980	○	○
0.96	1100	1010	○	○
1.07	1200	1060	○	●
1.23	1350	1150	●	▲

Capacity m ³ (ISO7451 HEAPED)	Width mm	Weight* kg	Arm 2.40 m	Arm 2.94 m
DITCH CLEANING BUCKETS				
0.86	1830	650	○	○
0.94	2130	710	○	○

Capacity m ³ (ISO7451 HEAPED)	Width mm	Weight* kg	Arm 2.40 m	Arm 2.94 m
GRADING BUCKETS				
0.97	1800	680	○	○
1.17	2100	740	○	○
1.35	2400	830	●	●

Capacity m ³ (ISO7451 HEAPED)	Width mm	Weight* kg	Arm 2.40 m	Arm 2.94 m
90° TILT DITCH CLEANING BUCKETS**				
0.68	1800	770	○	○
0.76	2000	810	○	○
0.83	2200	880	○	○
0.91	2400	920	○	○
0.95	2500	950	○	●



LC QUICK COUPLED

Capacity m ³ (ISO7451 HEAPED)	Width mm	Weight kg	Arm 2.40 m	Arm 2.94 m
HEAVY DUTY BUCKETS				
0.45	600	560	○	○
0.60	750	640	○	○
0.76	900	730	○	○
0.85	1000	760	○	○
0.92	1050	800	○	○
0.96	1100	830	○	○
1.08	1200	880	●	●
1.24	1350	970	●	▲
1.40	1500	1040	▲	■

Capacity m ³ (ISO7451 HEAPED)	Width mm	Weight kg	Arm 2.40 m	Arm 2.94 m
ROCK BUCKETS				
0.44	600	710	○	○
0.59	750	800	○	○
0.75	900	880	○	○
0.85	1000	940	○	○
0.91	1050	980	○	●
0.96	1100	1010	○	●
1.07	1200	1060	●	▲
1.23	1350	1150	▲	■

Capacity m ³ (ISO7451 HEAPED)	Width mm	Weight* kg	Arm 2.40 m	Arm 2.94 m
DITCH CLEANING BUCKETS				
0.86	1830	650	○	○
0.94	2130	710	○	○

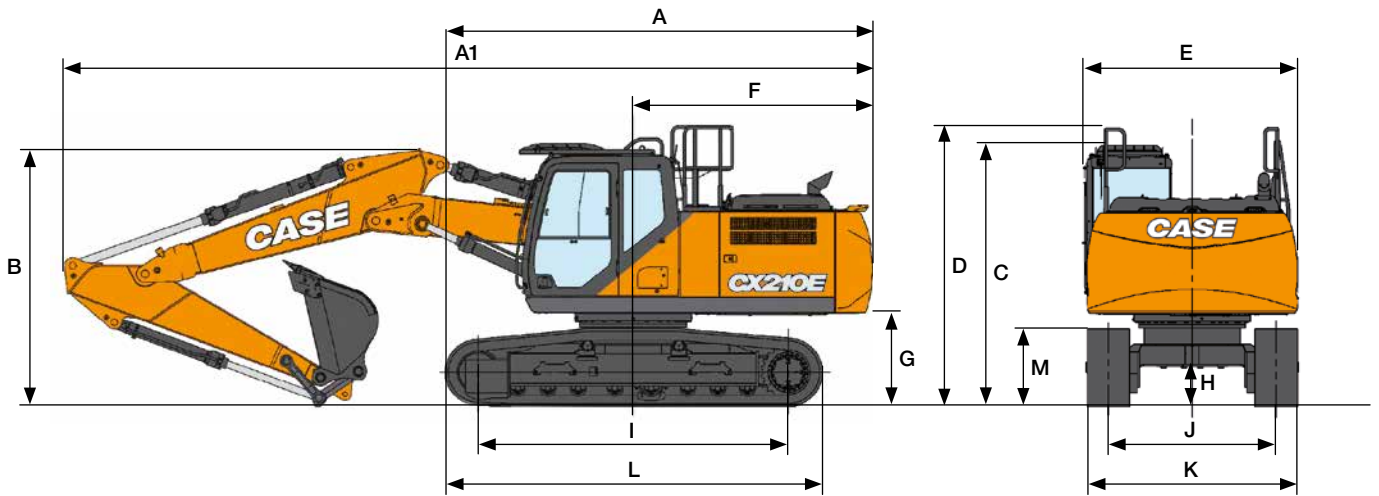
Capacity m ³ (ISO7451 HEAPED)	Width mm	Weight* kg	Arm 2.40 m	Arm 2.94 m
GRADING BUCKETS				
0.97	1800	680	○	○
1.17	2100	740	●	●
1.35	2400	830	●	▲

- Rated material density up to 2 ton/m³
- Rated material density up to 1.6 ton/m³
- ▲ Rated material density up to 1.4 ton/m³
- Rated material density up to 1.2 ton/m³

- Not applicable
- * with bolt-on edge
- **Tilt angle 45° L/R Connect to Low-Flow Auxiliary Hydraulic Circuit

SPECIFICATIONS

CX210E LC-NLC 2-PIECE BOOM



GENERAL DIMENSIONS		Arm 2.40 m	Arm 2.94 m
A	Overall length (without attachment) (LC/NLC)	mm 5050 / 5120	5050 / 5120
A1	Overall length (with attachment) (LC/NLC)	mm 9530 / 9600	9470 / 9540
B	Overall height (to top of boom) (LC/NLC)	mm 3030 / 3040	2890
C	Cab height (LC/NLC)	mm 3070 / 3100	3070 / 3100
D	Overall height (to top of guardrail) (LC/NLC)	mm 3150 / 3180	3150 / 3180
E	Upper structure overall width (LC/NLC)	mm 2760 / 2520	2760 / 2520
F	Swing (rear end radius) (LC/NLC)	mm 2830 / 2890	2830 / 2890
G	Clearance height under upper structure (LC/NLC)	mm 1040 / 1070	1040 / 1070
H	Minimum ground clearance (LC/NLC)	mm 440 / 430	440 / 430
I	Wheel base (Center to center of wheels)	mm 3660	3660
J	Track gauge (LC/NLC)	mm 2390 / 1990	2390 / 1990
K	Undercarriage overall width (LC with 600 mm shoes / NLC with 500 mm shoes)	mm 2990 / 2490	2990 / 2490
L	Crawler overall length	mm 4460	4460
M	Crawler tracks height	mm 920	920

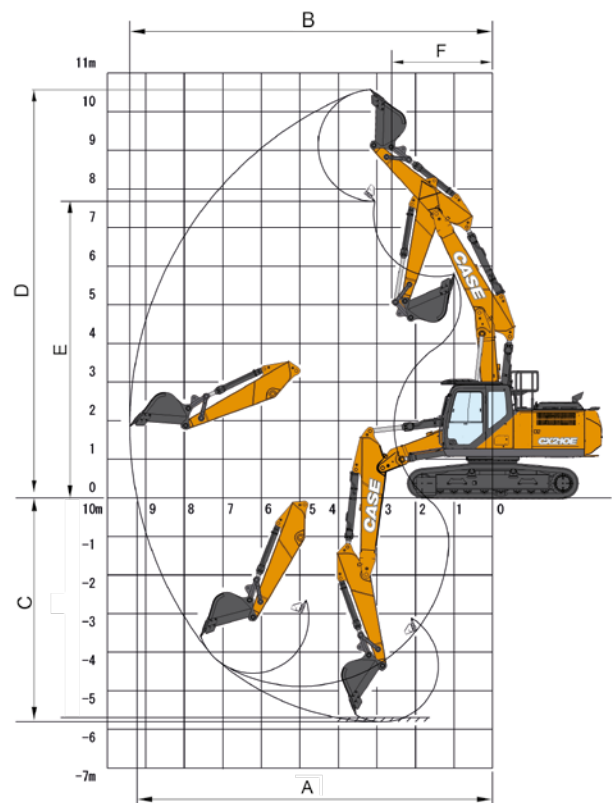
PERFORMANCE DATA		Arm 2.40 m	Arm 2.94 m
1 st boom length	mm	2960	2960
2 nd boom length	mm	2790	2790
Bucket radius	mm	1450	1450
Bucket wrist action	°	177	177
A	Maximum reach at GRP (LC/NLC)	mm 9240 / 9230	9730
B	Maximum reach	mm 9420	9900
C	Max. digging depth (LC/NLC)	mm 5830 / 5800	6350 / 6320
D	Max. digging height (LC/NLC)	mm 10550 / 10580	10910 / 10940
E	Max. dumping height (LC/NLC)	mm 7650 / 7680	8010 / 8040
F	Min. swing radius	mm 2620	2310

WEIGHT AND GROUND PRESSURE

With 2.40 m arm, 1.0 m³ bucket, operator, lubricant, coolant, full fuel tank and FOPS protection level 2.

	WEIGHT	GROUND PRESSURE
LC		
600 mm grouser shoes	22500 kg	0.047 MPa
NLC		
500 mm grouser shoes	23200 kg	0.058 MPa

STD Counterweight LC: 3800 kg
 HEAVY Counterweight LC: 3800 kg + 500 kg
 Counterweight NLC: 4600 kg



LIFTING CAPACITY

CX210E LC-NLC 2-PIECE BOOM

REACH													
Front Side	0.0 m		2.0 m		4.0 m		6.0 m		8.0 m		At max reach		m
LC UNDERCARRIAGE - Short arm 2.40 m, 600 mm shoes, max reach 7.97 m													
8.0 m					7330*	7330*					6360*	6360*	4.97
6.0 m					7450*	7450*	5770*	5500			4930*	4350	6.77
4.0 m					9580*	9580*	6180*	5410			4500*	3450	7.66
2.0 m			10550*	10550*	12340*	9370	7220*	5200			4480*	3140	7.96
0 m			15390*	15390*	12430*	8850	7440	4830			4840*	3190	7.75
-2.0 m	17410*	17410*	24690*	24690*	12680*	8480	7210	4570			5130*	3690	6.98
-4.0 m			18930*	18930*	8700*	8440							
LC UNDERCARRIAGE - Standard arm 2.94 m, 600 mm shoes, max reach 8.45 m													
8.0 m											4230*	4230*	5.72
6.0 m							5390*	5390*			3730*	3730*	7.34
4.0 m			17090*	17090*	8560*	8560*	5830*	5470	4280*	3300	3650*	3160	8.16
2.0 m			18080*	18080*	12010*	9450	6830*	5360	4860	3210	3840*	2890	8.45
0 m	12910*	12910*	15230*	15230*	12390*	9030	7430	4970	4720	3070	4310*	2920	8.25
-2.0 m	14050*	14050*	20560*	20560*	12580*	8510	7260	4620			5030*	3300	7.53
-4.0 m	14600*	14600*	22690*	22690*	10700*	8370					5550*	5550	5.02
LC UNDERCARRIAGE - HEAVY COUNTERWEIGHT - Short arm 2.40 m, 600 mm shoes, max reach 7.97 m													
8.0 m					7330*	7330*					6360*	6360*	4.97
6.0 m					7450*	7450*	5770*	5770*			4930*	4600	6.77
4.0 m					9580*	9580*	6180*	5670*			4500*	3670	7.66
2.0 m			10550*	10550*	12340*	9820	7220*	5470			4480*	3350	7.96
0 m			15390*	15390*	12430*	9370	7780	5130			4840*	3400	7.75
-2.0 m	17410*	17410*	24690*	24690*	12680*	9000	7600	4870			5130*	3940	6.98
-4.0 m			18930*	18930*	8700*	8700*							
LC UNDERCARRIAGE - HEAVY COUNTERWEIGHT - Standard arm 2.94 m, 600 mm shoes, max reach 8.45 m													
8.0 m											4230*	4230*	5.72
6.0 m							5390*	5390*			3730*	3730*	7.34
4.0 m			17090*	17090*	8560*	8560*	5830*	5700	4280*	3510	3650*	3370	8.16
2.0 m			18080*	18080*	12010*	9870	6830*	5660	4880*	3420	3840*	3090	8.45
0 m	12910*	12910*	15230*	15230*	12390*	9550	7760*	5270	4980	3280	4310*	3120	8.25
-2.0 m	14050*	14050*	20560*	20560*	12580*	9030	7650	4920			5030*	3530	7.53
-4.0 m	14600*	14600*	22690*	22690*	10700*	8890					5550*	5550*	5.02
NLC UNDERCARRIAGE - Short arm 2.40 m, 500 mm shoes, max reach 7.97 m													
8.0 m					7290*	7290*					6300*	6300*	5.01
6.0 m					7440*	7440*	5750*	5090			4900*	4010	6.78
4.0 m					9610*	8910	6170*	5050			4470*	3190	7.67
2.0 m			10390*	10390*	12300*	8530	7210*	4810			4460*	2900	7.97
0 m			15500*	15500*	12380*	7920	8010*	4440			4830*	2950	7.75
-2.0 m	17460*	17460*	24840*	24790	12640*	7580	7680*	4190			5090*	3420	6.96
-4.0 m			18620*	18620*	8520*	7560							
NLC UNDERCARRIAGE - Standard arm 2.94 m, 500 mm shoes, max reach 8.45 m													
8.0 m											4210*	4210*	5.76
6.0 m							5400*	5260*			3720*	3610	7.35
4.0 m			17150*	17150*	8610*	8610*	5840*	5140*	4300*	3080	3660*	2950	8.17
2.0 m			18140*	18140*	12030*	8650	6850*	4970	5970*	3590	3840*	2700	8.45
0 m	12810*	12810*	15290*	15290*	12390*	8120	7990	4590	5060*	2860	4320*	2720	8.25
-2.0 m	14100*	14100*	20660*	20660*	12590*	7640	7950	4260			5020*	3080	7.51
-4.0 m			22550*	22550*	10610*	7520							

* The above loads (kg) are compliant to the ISO standards and refer to the excavator equipped without bucket. The indicated loads are no more than 87% of hydraulic system lift capacity or 75% of static tipping load. Values marked with an asterisk (*) are limited by the hydraulic lifting capacity.

BUCKETS

CX210E LC-NLC 2-PIECE BOOM



LC DIRECT FIT

Capacity m ³ (ISO7451 HEAPED)	Width mm	Weight kg	Arm 2.40 m	Arm 2.94 m
HEAVY DUTY BUCKETS				
0.45	600	560	○	○
0.60	750	640	○	○
0.76	900	730	○	○
0.85	1000	760	○	○
0.92	1050	800	○	○
0.96	1100	830	○	●
1.08	1200	880	●	●
1.24	1350	970	●	▲
1.40	1500	1040	▲	■

Capacity m ³ (ISO7451 HEAPED)	Width mm	Weight kg	Arm 2.40 m	Arm 2.94 m
ROCK BUCKETS				
0.44	600	710	○	○
0.59	750	800	○	○
0.75	900	880	○	○
0.85	1000	940	○	○
0.91	1050	980	○	●
0.96	1100	1010	●	●
1.07	1200	1060	●	▲
1.23	1350	1150	▲	■

Capacity m ³ (ISO7451 HEAPED)	Width mm	Weight kg	Arm 2.40 m	Arm 2.94 m
90° TILT DITCH CLEANING BUCKETS**				
0.68	1800	770	○	○
0.76	2000	810	○	○
0.83	2200	880	○	●
0.91	2400	920	●	●
0.95	2500	950	●	●

Capacity m ³ (ISO7451 HEAPED)	Width mm	Weight* kg	Arm 2.40 m	Arm 2.94 m
DITCH CLEANING BUCKETS				
0.86	1830	650	○	○
0.94	2130	710	○	○

Capacity m ³ (ISO7451 HEAPED)	Width mm	Weight* kg	Arm 2.40 m	Arm 2.94 m
GRADING BUCKETS				
0.97	1800	680	○	○
1.17	2100	740	●	●
1.35	2400	830	●	▲

NLC DIRECT FIT

Capacity m ³ (ISO7451 HEAPED)	Width mm	Weight kg	Arm 2.40 m	Arm 2.94 m
HEAVY DUTY BUCKETS				
0.45	600	560	○	○
0.60	750	640	○	○
0.76	900	730	○	○
0.85	1000	760	○	○
0.92	1050	800	○	●
0.96	1100	830	●	●
1.08	1200	880	●	▲
1.24	1350	970	▲	■
1.40	1500	1040	■	—

Capacity m ³ (ISO7451 HEAPED)	Width mm	Weight kg	Arm 2.40 m	Arm 2.94 m
ROCK BUCKETS				
0.44	600	710	○	○
0.59	750	800	○	○
0.75	900	880	○	○
0.85	1000	940	○	○
0.91	1050	980	○	●
0.96	1100	1010	●	▲
1.07	1200	1060	▲	■
1.23	1350	1150	■	■

Capacity m ³ (ISO7451 HEAPED)	Width mm	Weight kg	Arm 2.40 m	Arm 2.94 m
90° TILT DITCH CLEANING BUCKETS**				
0.68	1800	770	○	○
0.76	2000	810	○	○
0.83	2200	880	○	●
0.91	2400	920	●	●
0.95	2500	950	●	▲

Capacity m ³ (ISO7451 HEAPED)	Width mm	Weight* kg	Arm 2.40 m	Arm 2.94 m
DITCH CLEANING BUCKETS				
0.86	1830	650	○	○
0.94	2130	710	○	○

Capacity m ³ (ISO7451 HEAPED)	Width mm	Weight* kg	Arm 2.40 m	Arm 2.94 m
GRADING BUCKETS				
0.97	1800	680	○	○
1.17	2100	740	●	●
1.35	2400	830	▲	■

- Rated material density up to 2 ton/m³
- Rated material density up to 1.6 ton/m³
- ▲ Rated material density up to 1.4 ton/m³
- Rated material density up to 1.2 ton/m³

— Not applicable
* with bolt-on edge

**Tilt angle 45° L/R Connect to Low-Flow Auxiliary Hydraulic Circuit



LC QUICK COUPLED

Capacity m ³ (ISO7451 HEAPED)	Width mm	Weight kg	Arm 2.40 m	Arm 2.94 m
HEAVY DUTY BUCKETS				
0.45	600	560	○	○
0.60	750	640	○	○
0.76	900	730	○	○
0.85	1000	760	○	○
0.92	1050	800	○	●
0.96	1100	830	●	▲
1.08	1200	880	▲	▲
1.24	1350	970	▲	■
1.40	1500	1040	■	—

Capacity m ³ (ISO7451 HEAPED)	Width mm	Weight kg	Arm 2.40 m	Arm 2.94 m
ROCK BUCKETS				
0.44	600	710	○	○
0.59	750	800	○	○
0.75	900	880	○	○
0.85	1000	940	○	●
0.91	1050	980	●	▲
0.96	1100	1010	▲	▲
1.07	1200	1060	▲	■
1.23	1350	1150	■	—

Capacity m ³ (ISO7451 HEAPED)	Width mm	Weight* kg	Arm 2.40 m	Arm 2.94 m
DITCH CLEANING BUCKETS				
0.86	1830	650	○	○
0.94	2130	710	○	●

Capacity m ³ (ISO7451 HEAPED)	Width mm	Weight* kg	Arm 2.40 m	Arm 2.94 m
GRADING BUCKETS				
0.97	1800	680	○	●
1.17	2100	740	●	■
1.35	2400	830	■	■

NLC QUICK COUPLED

Capacity m ³ (ISO7451 HEAPED)	Width mm	Weight kg	Arm 2.40 m	Arm 2.94 m
HEAVY DUTY BUCKETS				
0.45	600	560	○	○
0.60	750	640	○	○
0.76	900	730	○	○
0.85	1000	760	○	●
0.92	1050	800	●	▲
0.96	1100	830	▲	▲
1.08	1200	880	▲	■
1.24	1350	970	■	—

Capacity m ³ (ISO7451 HEAPED)	Width mm	Weight kg	Arm 2.40 m	Arm 2.94 m
ROCK BUCKETS				
0.44	600	710	○	○
0.59	750	800	○	○
0.75	900	880	○	○
0.85	1000	940	○	●
0.91	1050	980	●	▲
0.96	1100	1010	▲	▲
1.07	1200	1060	▲	■
1.23	1350	1150	■	—

Capacity m ³ (ISO7451 HEAPED)	Width mm	Weight* kg	Arm 2.40 m	Arm 2.94 m
DITCH CLEANING BUCKETS				
0.86	1830	650	○	●
0.94	2130	710	●	●

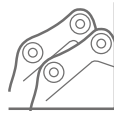
Capacity m ³ (ISO7451 HEAPED)	Width mm	Weight* kg	Arm 2.40 m	Arm 2.94 m
GRADING BUCKETS				
0.97	1800	680	●	●
1.17	2100	740	▲	■
1.35	2400	830	■	—

- Rated material density up to 2 ton/m³
- Rated material density up to 1.6 ton/m³
- ▲ Rated material density up to 1.4 ton/m³
- Rated material density up to 1.2 ton/m³

- Not applicable
- * with bolt-on edge
- **Tilt angle 45° L/R Connect to Low-Flow Auxiliary Hydraulic Circuit

BUCKETS

CX210E LC 2-PIECE BOOM HEAVY COUNTERWEIGHT



LC DIRECT FIT

Capacity m ³ (ISO7451 HEAPED)	Width mm	Weight kg	Arm 2.40 m	Arm 2.94 m
HEAVY DUTY BUCKETS				
0.45	600	560	○	○
0.60	750	640	○	○
0.76	900	730	○	○
0.85	1000	760	○	○
0.92	1050	800	○	○
0.96	1100	830	○	○
1.08	1200	880	○	●
1.24	1350	970	●	▲
1.40	1500	1040	▲	■

Capacity m ³ (ISO7451 HEAPED)	Width mm	Weight kg	Arm 2.40 m	Arm 2.94 m
ROCK BUCKETS				
0.44	600	710	○	○
0.59	750	800	○	○
0.75	900	880	○	○
0.85	1000	940	○	○
0.91	1050	980	○	○
0.96	1100	1010	○	●
1.07	1200	1060	●	▲
1.23	1350	1150	▲	■

Capacity m ³ (ISO7451 HEAPED)	Width mm	Weight* kg	Arm 2.40 m	Arm 2.94 m
DITCH CLEANING BUCKETS				
0.86	1830	650	○	○
0.94	2130	710	○	○

Capacity m ³ (ISO7451 HEAPED)	Width mm	Weight* kg	Arm 2.40 m	Arm 2.94 m
GRADING BUCKETS				
0.97	1800	680	○	○
1.17	2100	740	○	●
1.35	2400	830	●	▲

Capacity m ³ (ISO7451 HEAPED)	Width mm	Weight kg	Arm 2.40 m	Arm 2.94 m
90° TILT DITCH CLEANING BUCKETS**				
0.68	1800	770	○	○
0.76	2000	810	○	○
0.83	2200	880	○	○
0.91	2400	920	○	●
0.95	2500	950	●	●



LC QUICK COUPLED

Capacity m ³ (ISO7451 HEAPED)	Width mm	Weight kg	Arm 2.40 m	Arm 2.94 m
HEAVY DUTY BUCKETS				
0.45	600	560	○	○
0.60	750	640	○	○
0.76	900	730	○	○
0.85	1000	760	○	○
0.92	1050	800	○	●
0.96	1100	830	●	●
1.08	1200	880	●	▲
1.24	1350	970	▲	■
1.40	1500	1040	■	—

Capacity m ³ (ISO7451 HEAPED)	Width mm	Weight kg	Arm 2.40 m	Arm 2.94 m
ROCK BUCKETS				
0.44	600	710	○	○
0.59	750	800	○	○
0.75	900	880	○	○
0.85	1000	940	○	●
0.91	1050	980	●	●
0.96	1100	1010	●	▲
1.07	1200	1060	▲	■
1.23	1350	1150	■	—

Capacity m ³ (ISO7451 HEAPED)	Width mm	Weight* kg	Arm 2.40 m	Arm 2.94 m
DITCH CLEANING BUCKETS				
0.86	1830	650	○	○
0.94	2130	710	○	●

Capacity m ³ (ISO7451 HEAPED)	Width mm	Weight* kg	Arm 2.40 m	Arm 2.94 m
GRADING BUCKETS				
0.97	1800	680	○	●
1.17	2100	740	●	▲
1.35	2400	830	▲	■

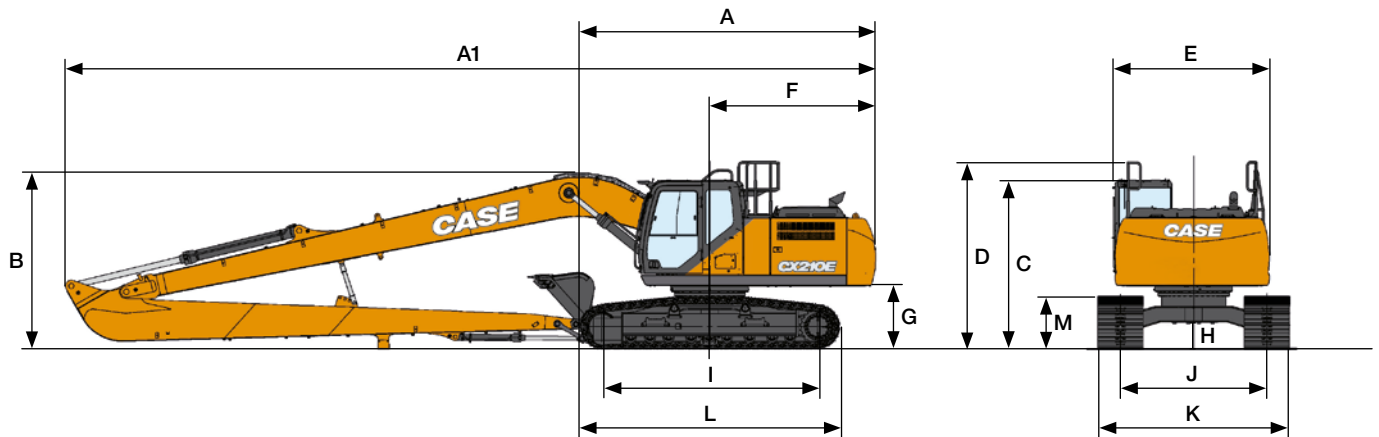
- Rated material density up to 2 ton/m³
- Rated material density up to 1.6 ton/m³
- ▲ Rated material density up to 1.4 ton/m³
- Rated material density up to 1.2 ton/m³

- Not applicable
- * with bolt-on edge
- **Tilt angle 45° L/R Connect to Low-Flow Auxiliary Hydraulic Circuit



SPECIFICATIONS

CX210E LONG REACH



GENERAL DIMENSIONS LONG REACH		Arm 6.40 m
A	Overall length (without attachment)	mm 5050
A1	Overall length (with attachment)	mm 12580
B	Overall height (to top of boom)	mm 3040
C	Cab height	mm 3070
D	Overall height (to top of guardrail)	mm 3150
E	Upper structure overall width	mm 2760
F	Swing (rear end radius)	mm 2830
G	Clearance height under upper structure	mm 1040
H	Minimum ground clearance	mm 440
I	Wheel base (Center to center of wheels)	mm 3660
J	Track gauge	mm 2390
K	Undercarriage overall width (with 800 mm shoes)	mm 3190
L	Crawler overall length	mm 4470
M	Crawler tracks height	mm 920

DIGGING FORCE (ISO 6015)		Arm 6.40 m
Arm digging force	kN	46
with auto power boost	kN	50
Bucket digging force	kN	65
with auto power boost	kN	70

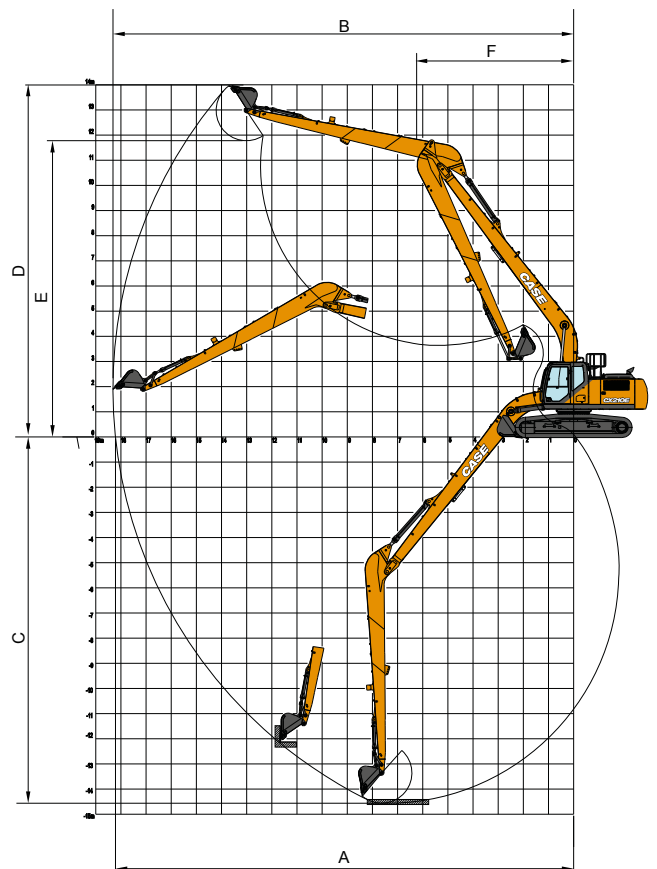
PERFORMANCE DATA		Arm 6.40 m
Boom length	mm	8700
Bucket radius	mm	1200
Bucket wrist action	°	178
A	Maximum reach at GRP	mm 15490
B	Maximum reach	mm 15600
C	Max. digging depth	mm 12010
D	Max. digging height	mm 12970
E	Max. dumping height	mm 10730
F	Min. swing radius	mm 5220

WEIGHT AND GROUND PRESSURE

With 6.40 m arm, 0.37 m³ bucket, 800 mm grouser shoes, operator, lubricant, coolant, full fuel tank and FOPS protection level 2.

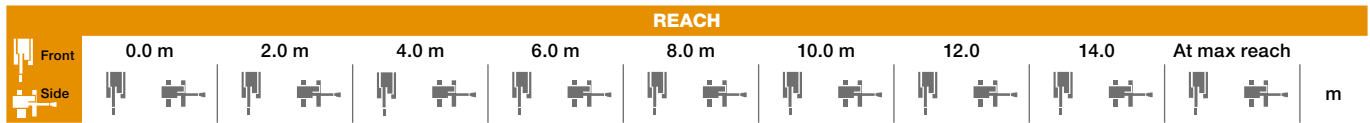
	WEIGHT	GROUND PRESSURE
LR	23800 kg	0.037 MPa

Counterweight: 4700 kg



LIFTING CAPACITY

CX210E LONG REACH



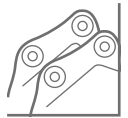
LC UNDERCARRIAGE - Super long arm 6.40 m, 800 mm shoes, max reach 14.40 m

Reach (m)	0.0 m	2.0 m	4.0 m	6.0 m	8.0 m	10.0 m	12.0	14.0	At max reach	m								
10.0 m									1360*	1360*	11.83							
8.0 m							2130*	2060			13							
6.0 m						2290*	2290*	2230*	2000		13.78							
4.0 m					2950*	2950*	2620*	2620*	2420*	1890	1740*	1370	1340*	1320	14.23			
2.0 m			6940*	6940*	4820*	4820*	3620*	3380	3000*	2400	2650*	1760	2130	1310	1410*	1240	14.4	
0 m			3660*	3660*	5910*	4420	4240*	3020	3380*	2190	2630	1640	2060	1250	1540*	1200	14.28	
-2.0 m		2280*	2280*	3940*	3940*	6570*	4060	4510	2770	3300	2030	2540	1550		1730*	1230	13.88	
-4.0 m	2950*	2950*	3330*	3330*	4890*	4890*	6640	3920	4370	2650	3210	1950	2490	1500		2040*	1320	13.16
-6.0 m	3840*	3840*	4470*	4470*	6230*	6230*	6670	3940	4360	2630	3200	1940	2520	1530		2500	1520	12.07
-8.0 m		5800*	5800*	8080*	7610	6110*	4090	4470	2730	3300	2040					3110	1930	10.49
-10 m			6840*	6840*	4850*	4410	3470*	2990								3370*	2930	8.14

* The above loads (kg) are compliant to the ISO standards and refer to the excavator equipped without bucket. The indicated loads are no more than 87% of hydraulic system lift capacity or 75% of static tipping load. Values marked with an asterisk (*) are limited by the hydraulic lifting capacity.

BUCKETS

CX210E LONG REACH



DIRECT FIT

Capacity m ³ (ISO7451 HEAPED)	Width mm	Weight kg	Arm 6.40 m
GENERAL PURPOSE BUCKETS			
0.21	450	250	○
0.31	600	290	○
0.41	750	330	○
0.52	900	360	●

Capacity m ³ (ISO7451 HEAPED)	Width mm	Weight* kg	Arm 6.40 m
GRADING BUCKETS			
0.59	1500	440	■

Capacity m ³ (ISO7451 HEAPED)	Width mm	Weight* kg	Arm 6.40 m
DITCH CLEANING BUCKETS			
0.54	1830	480	▲

Capacity m ³ (ISO7451 HEAPED)	Width mm	Weight* kg	Arm 6.40 m
90° TILT DITCH CLEANING BUCKET			
0.46	1500	640	■

QUICK COUPLED

Capacity m ³ (ISO7451 HEAPED)	Width mm	Weight kg	Arm 6.40 m
GENERAL PURPOSE BUCKETS			
0.21	450	250	○
0.31	600	280	○
0.41	750	310	●
0.52	900	360	●

Capacity m ³ (ISO7451 HEAPED)	Width mm	Weight* kg	Arm 6.40 m
DITCH CLEANING BUCKET			
0.54	1830	370	■

* with bolt-on cutting edge



■ Rated material density up to 1.2 ton/m³
▲ Rated material density up to 1.4 ton/m³

● Rated material density up to 1.6 ton/m³
○ Rated material density up to 2 ton/m³

BUILDING A STRONG CASE.

Since 1842, at CASE Construction Equipment we have lived by an unwavering commitment to build practical, intuitive solutions that deliver both efficiency and productivity.

We continually strive to make it easier for our customers to implement emerging technologies and new compliance mandates.

Today, our global scale combined with our local expertise enables us to keep customers' real-world challenges at the center of our product development.

The vast CASE dealers' network is always ready to support and protect your investment and exceed your expectations, while also providing you with the ultimate ownership experience.

Our goal is to build both stronger machines-and stronger communities. At the end of the day, we do what's right for our customers and our communities so that they can count on CASE.

CNH Industrial
Deutschland GmbH
Case Baumaschinen
Benzstr. 1-3 - D-74076 Heilbronn
DEUTSCHLAND

CNH Industrial
Maquinaria Spain, S.A.
Avenida Aragón 402
28022 Madrid - ESPAÑA

CNH Industrial France, S.A.
16-18 Rue des Rochettes
91150 Morigny-Champigny
FRANCE

CNH Industrial Italia Spa
via Plava, 80
10135 Torino
ITALIA

CASE Construction Equipment
Cranes Farm Rd
Basildon - SS14 3AD
UNITED KINGDOM

NOTE: Standard and optional fittings can vary according to the demands and specific regulations of each country. The illustrations may include optional rather than standard fittings - consult your Case dealer. Furthermore, CNH Industrial reserves the right to modify machine specifications without incurring any obligation relating to such changes.

Conforms to directive 2006/42/EC

CASECE.COM
00800-2273-7373

The call is free from a land line.
Check in advance with your Mobile Operator if you will be charged. Toll free number not available from all calling areas.