



## ENGINE

Model	Isuzu AQ-6UZ1X Cooled EGR, SCR
Emissions Certification	Tier 4 Final
Fuel	Requires ultra-low sulfur fuel B5 biodiesel tolerant
Type	Water-cooled, 4-cycle, high pressure common rail system Turbocharger w/ air cooled intercooler, SCR system
Cylinders	6-cylinder in-line
Displacement	600 in <sup>3</sup> (9.8 L)
Bore/Stroke	4.72 x 5.71 in (120 x 145 mm)
Fuel injection	Direct injection – electronic
Fuel filter	Replaceable, full flow spin-on cartridge
Air filter	Dry type element w/ warning restriction indicator
Oil filter	Replaceable, full flow spin-on cartridge
Engine gradeability:	
Side-to-side	35°
Fore and aft	35°
Net horsepower – ISO 14396 @ 2000 RPM:	362 hp (270 kW)
Net horsepower – ISO 14396 @ 2000 RPM: w/ fan pump activated	329 hp (245 kW)
Net max. torque – ISO 14396 @ 1500 RPM:	1,005 lbf-ft (1 363 N-m)
Cooling operating range:	109° to -13° F (43° to -25° C)
Oil	Requires low-ash oil CJ-4

## DRIVETRAIN

Travel control	Dual stage relief/ counter balance design
Brakes	Mechanical disc
Service brakes	SAHR disc – each motor
Two speed travel:	
Max. high speed	3.3 mph (5.3 kph)
Max. low speed	2.0 mph (3.2 kph)
Automatic downshift	
Drawbar pull	76,200 lbf (339 kN)
Gradeability	70% – 35° Slope

## ELECTRICAL

Voltage	24 Volts
Alternator rating	50 amp
Batteries	2 x 12 Volt
Battery reserve capacity	128 Ah/5 hour
Work lights – 5	24 Volt/70 watt
2 boom, 1 upper, 2 cab	

## OPERATOR ENVIRONMENT

Air-conditioner output	18,100 BTU/hr
Heater output	20,150 BTU/hr
Sound level inside cab – ISO6395	71.0 dBA
Electrical outlet	12 Volt
Cab interior light	10 watt
Rear view camera	Standard
Seat	Heated, air-suspension

## ATTACHMENT

Boom	22 ft 11 in (6 980 mm)
Arm options	11 ft 1 in (3 380 mm) 8 ft 4 in (2 530 mm) 13 ft 1 in (4 000 mm) 15 ft 11 in (4 850 mm)
Bucket digging force*	55,500 lbf (247 kN)
w/ Auto Power-Boost	60,700 lbf (270 kN)

NOTE: \*Digging force ratings based on ISO6015.

## OPERATING WEIGHT

Operating weight	109,300 lb (49 600 kg)
w/ shoes	2 ft 11 in (900 mm)
w/ boom	22 ft 11 in (6 980 mm)
w/ arm	11 ft 1 in (3 380 mm)
w/ bucket	33,731 lb (1 530 kg)
w/ counterweight	22,000 lb (10 000 kg)

NOTE: W/ operator/full fuel/standard equipment/  
fixed sideframe undercarriage

## GROUND PRESSURE

@ Standard operating weight 8.3 psi (0.57 bar)  
w/ 35.4 in (900 mm) triple semi-grouser shoes

## HYDRAULICS

System design	Open center
Main pumps	Two-variable displacement/ axial piston
Max. rated flow per pump:	96.2 gpm (364 L/min)
Max rated flow total:	192.3 gpm (728 L/min)
System pressures:	
Boom, arm and bucket	4,550 psi (314 bar)
w/ Power Boost	4,980 psi (343 bar)
Travel circuits	4,980 psi (343 bar)
Swing circuits	4,270 psi (294 bar)
Pilot pump	1 x gear design
Max. capacity	7.9 gpm (30.0 L/min)

Controls	w/ boom/arm holding valve
Right track travel, bucket, boom and arm acceleration.	1 x Four-spool section
Left track travel, auxiliary, swing, boom and arm acceleration.	1 x Five-spool section

Work mode selections	SP: Speed Priority H: Heavy-Duty A: Automatic
----------------------	---

Swing motor	Fixed displacement axial piston
Swing final drive	Planetary gear reduction
Travel motor	Two-speed independent travel/axial piston

## HYDRAULIC CYLINDERS

Boom cylinders	Two (2)
Cylinder bore	6.7 in (170 mm)
Cylinder rod diameter	4.5 in (115 mm)
Cylinder stroke	61.0 in (1 550 mm)
Arm cylinder	One (1)
Cylinder bore	7.5 in (190 mm)
Cylinder rod diameter	5.1 in (130 mm)
Cylinder stroke	75.6 in (1 920 mm)
Bucket cylinder	One (1)
Cylinder bore	6.5 in (165 mm)
Cylinder rod diameter	4.5 in (115 mm)
Cylinder stroke	50.6 in (1 285 mm)

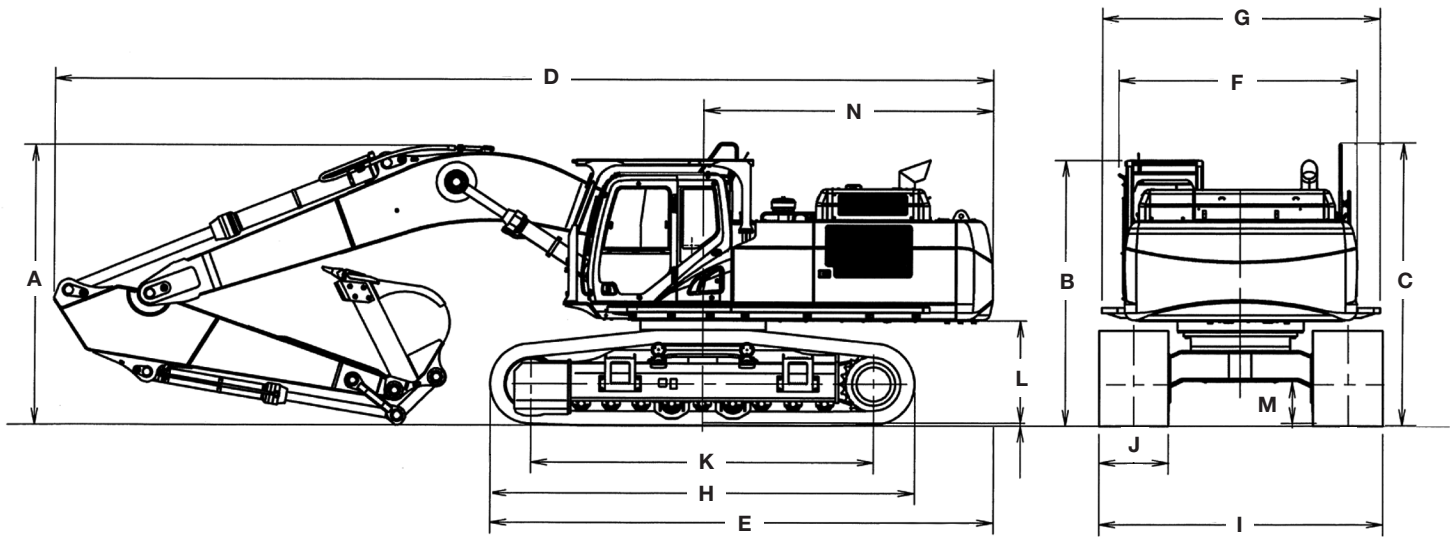
## SERVICE CAPACITIES

Fuel tank	172 gal (650 L)
Hydraulic system	122 gal (460 L)
Hydraulic tank	61 gal (230 L)
Engine oil w/ filter	10.8 gal (41.0 L)
Swing drive	2.8 gal (10.5 L)
Final drive – each side	4.0 gal (15 L)
Cooling system	14.6 gal (55.1 L)
DEF tank	40 gal (152 L)

## OTHER SPECIFICATIONS

Swing speed	0 – 9.1 RPM
Swing torque	111,000 lbf-ft (150 000 N-m)
Swing brake	Mechanical disc
Undercarriage:	
Length	17 ft 11 in (5 450 mm)
Track gauge	9 ft 0 in (2 750 mm)
Carrier rollers – each side	2
Track rollers – each side	9
Shoes – Triple grouser – each side	50
Shoe width – std.	2 ft 11 in (900 mm)
Link pitch	9 in (229 mm)

Track:	
Chain	Grease lubricated/strutted
Guides	Single
Adjustment	Hydraulic



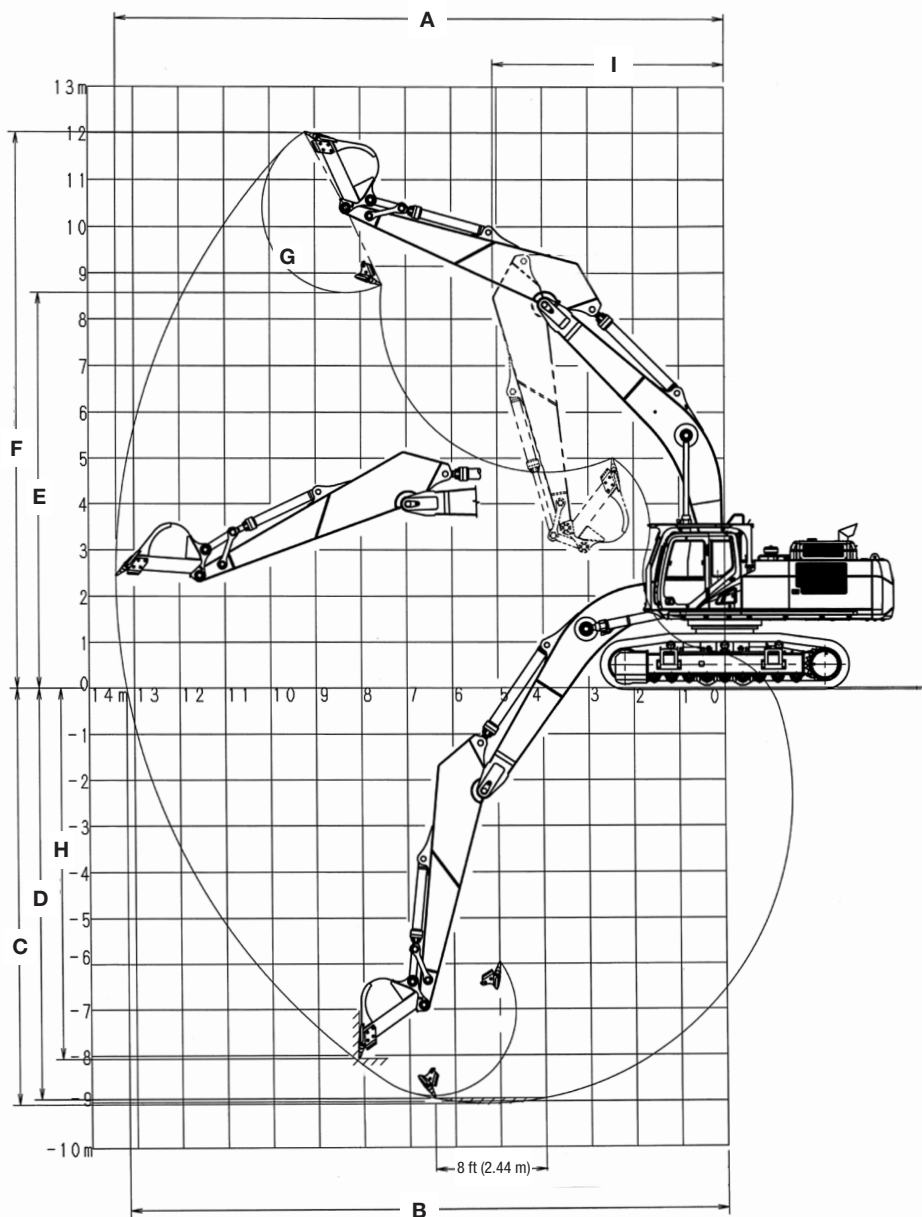
Line drawings are for illustrative purpose only and may not be exact representation of unit.

### DIMENSIONS – LC

	11 ft 1 in (3.38 m) Arm	8 ft 4 in (2.53 m) Arm	13 ft 1 in (4.00 m) Arm	15 ft 11 in (4.85 m) Arm
A. Overall height – with attachment	12 ft 0 in (3 650 mm)	12 ft 0 in (3 670 mm)	11 ft 11 in (3 630 mm)	14 ft 6 in (4 420 mm)
B. Cab height	10 ft 11 in (3 320 mm)	10 ft 11 in (3 320 mm)	10 ft 11 in (3 320 mm)	10 ft 11 in (3 320 mm)
C. Overall height – top of guardrail	12 ft 0 in (3 650 mm)	12 ft 0 in (3 650 mm)	12 ft 0 in (3 650 mm)	12 ft 0 in (3 650 mm)
D. Overall length – with attachment	39 ft 8 in (12 090 mm)	39 ft 9 in (12 110 mm)	39 ft 7 in (12 070 mm)	39 ft 11 in (12 180 mm)
E. Overall length – without attachment	21 ft 2 in (6 450 mm)	21 ft 2 in (6 450 mm)	21 ft 2 in (6 450 mm)	21 ft 2 in (6 450 mm)
F. Width of upperstructure – without catwalks	10 ft 0 in (3 060 mm)	10 ft 0 in (3 060 mm)	10 ft 0 in (3 060 mm)	10 ft 0 in (3 060 mm)
G. Width of upperstructure – with catwalks	11 ft 9 in (3 590 mm)	11 ft 9 in (3 590 mm)	11 ft 9 in (3 590 mm)	11 ft 9 in (3 590 mm)
H. Track overall length	17 ft 11 in (5 450 mm)	17 ft 11 in (5 450 mm)	17 ft 11 in (5 450 mm)	17 ft 11 in (5 450 mm)
I. Track overall width with 35.4 in (900 mm) shoes	12 ft 0 in (3 650 mm)	12 ft 0 in (3 650 mm)	12 ft 0 in (3 650 mm)	12 ft 0 in (3 650 mm)
J. Track shoe width	2 ft 11 in (900 mm)	2 ft 11 in (900 mm)	2 ft 11 in (900 mm)	2 ft 11 in (900 mm)
K. Center to center – idler to sprocket	14 ft 5 in (4 400 mm)	14 ft 5 in (4 400 mm)	14 ft 5 in (4 400 mm)	14 ft 5 in (4 400 mm)
L. Upperstructure ground clearance	4 ft 4 in (1 330 mm)	4 ft 4 in (1 330 mm)	4 ft 4 in (1 330 mm)	4 ft 4 in (1 330 mm)
M. Minimum ground clearance	1 ft 9 in (535 mm)	1 ft 9 in (535 mm)	1 ft 9 in (535 mm)	1 ft 9 in (535 mm)
N. Rear tail swing radius	12 ft 3 in (3 730 mm)	12 ft 3 in (3 730 mm)	12 ft 3 in (3 730 mm)	12 ft 3 in (3 730 mm)

### DIMENSIONS – RETRACTABLE UNDERCARRIAGE

	11 ft 1 in (3.38 m) Arm	8 ft 4 in (2.53 m) Arm	13 ft 1 in (4.00 m) Arm	15 ft 11 in (4.85 m) Arm
A. Overall height – with attachment	12 ft 1 in (3 680 mm)	12 ft 2 in (3 720 mm)	12 ft 1 in (3 630 mm)	14 ft 5 in (4 390 mm)
B. Cab height	11 ft 5 in (3 470 mm)	11 ft 5 in (3 470 mm)	11 ft 5 in (3 470 mm)	11 ft 5 in (3 470 mm)
C. Overall height – top of guardrail	12 ft 6 in (3 800 mm)	12 ft 6 in (3 800 mm)	12 ft 6 in (3 800 mm)	12 ft 6 in (3 800 mm)
D. Overall length – with attachment	39 ft 7 in (12 060 mm)	39 ft 8 in (12 090 mm)	39 ft 5 in (12 020 mm)	40 ft 2 in (12 240 mm)
E. Overall length – without attachment	21 ft 2 in (6 450 mm)	21 ft 2 in (6 450 mm)	21 ft 2 in (6 450 mm)	21 ft 2 in (6 450 mm)
F. Width of upperstructure – without catwalks	10 ft 0 in (3 060 mm)	10 ft 0 in (3 060 mm)	10 ft 0 in (3 060 mm)	10 ft 0 in (3 060 mm)
G. Width of upperstructure – with catwalks	11 ft 9 in (3 590 mm)	11 ft 9 in (3 590 mm)	11 ft 9 in (3 590 mm)	11 ft 9 in (3 590 mm)
H. Track overall length	17 ft 11 in (5 450 mm)	17 ft 11 in (5 450 mm)	17 ft 11 in (5 450 mm)	17 ft 11 in (5 450 mm)
I. Track overall width with 35.4 in (900 mm) shoes:				
Extended	12 ft 5 in (3 790 mm)	12 ft 5 in (3 790 mm)	12 ft 5 in (3 790 mm)	12 ft 5 in (3 790 mm)
Retracted	10 ft 10 in (3 290 mm)	10 ft 10 in (3 290 mm)	10 ft 10 in (3 290 mm)	10 ft 10 in (3 290 mm)
J. Track shoe width	2 ft 11 in (900 mm)	2 ft 11 in (900 mm)	2 ft 11 in (900 mm)	2 ft 11 in (900 mm)
K. Center to center – idler to sprocket	14 ft 5 in (4 400 mm)	14 ft 5 in (4 400 mm)	14 ft 5 in (4 400 mm)	14 ft 5 in (4 400 mm)
L. Upperstructure ground clearance	4 ft 10 in (1 480 mm)	4 ft 10 in (1 480 mm)	4 ft 10 in (1 480 mm)	4 ft 10 in (1 480 mm)
M. Minimum ground clearance	2 ft 4 in (720 mm)	2 ft 4 in (720 mm)	2 ft 4 in (720 mm)	2 ft 4 in (720 mm)
N. Rear tail swing radius	12 ft 3 in (3 730 mm)	12 ft 3 in (3 730 mm)	12 ft 3 in (3 730 mm)	12 ft 3 in (3 730 mm)



### PERFORMANCE SPECS

	11 ft 1 in (3.38 m) Arm	8 ft 4 in (2.53 m) Arm	13 ft 1 in (4.00 m) Arm	15 ft 11 in (4.85 m) Arm
<b>A.</b> Maximum dig radius	39 ft 3 in (11 970 mm)	36 ft 10 in (11 220 mm)	41 ft 1 in (12 520 mm)	43 ft 6 in (13 270 mm)
<b>B.</b> Dig radius at groundline	38 ft 7 in (11 750 mm)	36 ft 0 in (10 980 mm)	40 ft 4 in (12 300 mm)	42 ft 10 in (13 060 mm)
<b>C.</b> Maximum dig depth	25 ft 4 in (7 720 mm)	22 ft 6 in (6 870 mm)	27 ft 4 in (8 340 mm)	30 ft 2 in (9 200 mm)
<b>D.</b> Dig depth - 8 ft 0 in (2.44 m) level bottom	24 ft 10 in (7 580 mm)	21 ft 11 in (6 690 mm)	26 ft 11 in (8 210 mm)	29 ft 9 in (9 080 mm)
<b>E.</b> Dump height	25 ft 3 in (7 690 mm)	24 ft 4 in (7 410 mm)	25 ft 10 in (7 870 mm)	26 ft 6 in (8 070 mm)
<b>F.</b> Maximum reach height	36 ft 5 in (11 100 mm)	35 ft 7 in (10 850 mm)	36 ft 11 in (11 260 mm)	37 ft 7 in (11 460 mm)
<b>G.</b> Bucket rotation	176°	176°	176°	176°
<b>H.</b> Maximum vertical wall dig depth	21 ft 9 in (6 640 mm)	19 ft 8 in (5 990 mm)	23 ft 4 in (7 120 mm)	26 ft 1 in (7 960 mm)
<b>I.</b> Minimum swing radius	16 ft 4 in (4 970 mm)	16 ft 2 in (4 930 mm)	16 ft 1 in (4 910 mm)	16 ft 8 in (5 090 mm)
Arm digging force:				
Standard	45,200 lb (201 kN)	55,300 lb (246 kN)	39,800 lb (177 kN)	35,500 lb (158 kN)
Power Boost	49,500 lb (220 kN)	60,500 lb (269 kN)	43,400 lb (193 kN)	38,900 lb (173 kN)
Bucket digging force:				
Standard	55,500 lb (247 kN)	55,500 lb (247 kN)	55,500 lb (247 kN)	55,500 lb (247 kN)
Power Boost	60,700 lb (270 kN)	60,700 lb (270 kN)	60,700 lb (270 kN)	60,700 lb (270 kN)



**LIFT CAPACITIES**

**CX490D RTC S-Long – 22 ft 11 in (6.98 m) Boom and 15 ft 11 in (4.85 m) Arm, ISO capacities, includes bucket weighing 2,800 lb (1 260 kg).**

Load (Lift Point Height)	0 ft (0.0 m)		5 ft (1.5 m)		10 ft (3 m)		15 ft (4.5 m)		20 ft (6 m)		25 ft (7.5 m)		30 ft (9 m)		35 ft (10.5 m)		40 ft (12.0 m)		MAXIMUM REACH					
	END	SIDE	END	SIDE	END	SIDE	END	SIDE	END	SIDE	END	SIDE	END	SIDE	END	SIDE	END	SIDE	@	END	SIDE			
+30 ft (9.1 m)																			35 ft 8 in (10.96 m)	9,259 lb* (4 200 kg)*	9,259 lb* (4 200 kg)*			
+25 ft (7.5 m)																			38 ft 6 in (11.78 m)	9,017 lb* (4 090 kg)*	9,017 lb* (4 090 kg)*			
+20 ft (6 m)														16,843 lb* (7 640 kg)*	16,843 lb* (7 640 kg)*	15,498 lb* (6 890 kg)*	15,190 lb* (6 890 kg)*	11,574 lb* (5 250 kg)*	11,574 lb* (5 250 kg)*	40 ft 5 in (12.34 m)	8,995 lb* (4 080 kg)*	8,995 lb* (4 080 kg)*		
+15 ft (4.5 m)														18,232 lb* (8 270 kg)*	18,232 lb* (8 270 kg)*	16,998 lb* (7 710 kg)*	14,705 lb* (6 670 kg)*	13,955 lb* (6 330 kg)*	11,332 lb* (5 140 kg)*	41 ft 6 in (12.67 m)	9,193 lb* (4 170 kg)*	9,193 lb* (4 170 kg)*		
+10 ft (3 m)								38,779 lb* (17 590 kg)*	38,779 lb* (17 590 kg)*	29,630 lb* (13 440 kg)*	29,630 lb* (13 440 kg)*	24,052 lb* (10 910 kg)*	24,052 lb* (10 910 kg)*	20,459 lb* (9 280 kg)*	18,431 lb* (8 360 kg)*	17,924 lb* (8 130 kg)*	14,110 lb* (6 400 kg)*	15,697 lb* (7 120 kg)*	11,001 lb* (4 940 kg)*	42 ft 0 in (12.8 m)	9,546 lb* (4 330 kg)*	9,546 lb* (4 330 kg)*		
+5 ft (1.5 m)								27,933 lb* (12 670 kg)*	27,933 lb* (12 670 kg)*	48,656 lb* (22 070 kg)*	48,656 lb* (22 070 kg)*	34,524 lb* (15 660 kg)*	32,871 lb* (14 910 kg)*	26,985 lb* (12 240 kg)*	23,391 lb* (10 610 kg)*	22,355 lb* (10 140 kg)*	19,114 lb* (8 670 kg)*	13,536 lb* (6 140 kg)*	16,711 lb* (7 580 kg)*	10,670 lb* (4 840 kg)*	41 ft 9 in (12.73 m)	10,163 lb* (4 610 kg)*	9,524 lb* (4 320 kg)*	
Groundline								25,243 lb* (11 450 kg)*	25,243 lb* (11 450 kg)*	51,522 lb* (23 370 kg)*	48,281 lb* (21 900 kg)*	37,721 lb* (17 110 kg)*	31,063 lb* (14 090 kg)*	29,079 lb* (13 190 kg)*	22,178 lb* (10 060 kg)*	23,656 lb* (10 730 kg)*	16,733 lb* (7 590 kg)*	19,864 lb* (9 010 kg)*	13,051 lb* (5 920 kg)*	16,424 lb* (7 450 kg)*	10,384 lb* (4 710 kg)*	40 ft 11 in (12.47 m)	11,045 lb* (5 010 kg)*	9,722 lb* (4 410 kg)*
-5 ft (-1.5 m)	16,667 lb (7 560 kg)	16,667 lb (7 560 kg)	20,591 lb* (9 340 kg)*	20,591 lb* (9 340 kg)*	30,424 lb* (13 800 kg)*	30,424 lb* (13 800 kg)*	53,220 lb* (24 140 kg)*	46,540 lb* (21 110 kg)*	38,823 lb* (17 610 kg)*	29,784 lb* (13 510 kg)*	29,961 lb* (13 590 kg)*	21,319 lb* (9 670 kg)*	24,119 lb* (10 940 kg)*	16,182 lb* (7 340 kg)*	19,930 lb* (9 040 kg)*	12,721 lb* (5 770 kg)*	12,522 lb* (5 680 kg)*	10,274 lb* (4 660 kg)*	39 ft 5 in (12.01 m)	12,368 lb* (5 610 kg)*	10,251 lb* (4 650 kg)*			
-10 ft (-3 m)	25,022 lb (11 350 kg)	25,022 lb (11 350 kg)	28,373 lb* (12 870 kg)*	28,373 lb* (12 870 kg)*	38,162 lb* (17 310 kg)*	38,162 lb* (17 310 kg)*	52,492 lb* (23 810 kg)*	46,429 lb* (21 060 kg)*	38,338 lb* (17 390 kg)*	29,432 lb* (13 350 kg)*	29,630 lb* (13 440 kg)*	23,391 lb* (10 610 kg)*	21,032 lb* (9 540 kg)*	23,744 lb* (10 770 kg)*	15,983 lb* (7 250 kg)*	19,202 lb* (8 710 kg)*	12,677 lb* (5 750 kg)*			37 ft 1 in (11.32 m)	14,374 lb* (6 520 kg)*	11,288 lb* (5 120 kg)*		
-15 ft (-4.5 m)	30,776 lb (13 960 kg)	30,776 lb (13 960 kg)	37,765 lb* (17 130 kg)*	37,765 lb* (17 130 kg)*	49,339 lb* (22 380 kg)*	49,339 lb* (22 380 kg)*	48,987 lb* (22 220 kg)*	46,694 lb* (21 180 kg)*	36,376 lb* (16 500 kg)*	29,696 lb* (13 470 kg)*	28,175 lb* (12 780 kg)*	21,208 lb* (9 620 kg)*	22,134 lb* (10 040 kg)*	16,226 lb* (7 360 kg)*						33 ft 10 in (10.37 m)	16,689 lb* (7 570 kg)*	13,073 lb* (5 930 kg)*		
-20 ft (-6 m)			47,995 lb* (21 770 kg)*	47,995 lb* (21 770 kg)*	59,877 lb* (27 160 kg)*	59,877 lb* (27 160 kg)*	42,329 lb* (19 200 kg)*	42,329 lb* (19 200 kg)*	31,835 lb* (14 440 kg)*	29,961 lb* (13 590 kg)*	24,295 lb* (11 020 kg)*	21,649 lb* (9 820 kg)*	17,328 lb* (7 860 kg)*	16,535 lb* (7 500 kg)*						29 ft 5 in (9.07 m)	16,491 lb* (7 480 kg)*	16,314 lb* (7 400 kg)*		
-25 ft (-7.5 m)																					23 ft 3 in (7.27 m)	15,234 lb* (6 910 kg)*	15,234 lb* (6 910 kg)*	

**CX490D LC Short – 22 ft 11 in (6.98 m) Boom and 8 ft 3 in (2.53 m) Arm, ISO capacities, includes bucket weighing 3,350 lb (1 530 kg).**

Load (Lift Point Height)	10 ft (3 m)		15 ft (4.5 m)		20 ft (6 m)		25 ft (7.5 m)		30 ft (9 m)		35 ft (10.5 m)		MAXIMUM REACH							
	END	SIDE	END	SIDE	END	SIDE	END	SIDE	END	SIDE	END	SIDE	@	END	SIDE					
+30 ft (9 m)																	27 ft 1 in (8.39 m)	17,968 lb* (8 150 kg)*	17,968 lb* (8 150 kg)*	
+25 ft (7.5 m)																		30 ft 11 in (9.48 m)	17,262 lb* (7 830 kg)*	15,851 lb* (7 190 kg)*
+20 ft (6 m)																		33 ft 4 in (10.19 m)	17,108 lb* (7 760 kg)*	13,580 lb* (6 160 kg)*
+15 ft (4.5 m)																		34 ft 9 in (10.6 m)	17,394 lb* (7 890 kg)*	12,324 lb* (5 590 kg)*
+10 ft (3 m)																		35 ft 3 in (10.75 m)	18,012 lb* (8 170 kg)*	11,751 lb* (5 330 kg)*
+5 ft (1.5 m)																		35 ft 0 in (10.67 m)	19,092 lb* (8 660 kg)*	11,707 lb* (5 310 kg)*
Groundline																		34 ft 0 in (10.36 m)	19,930 lb* (9 040 kg)*	12,192 lb* (5 530 kg)*
-5 ft (-1.5 m)	35,494 lb* (16 100 kg)*	35,494 lb* (16 100 kg)*	50,243 lb* (22 790 kg)*	42,968 lb* (19 490 kg)*	38,096 lb* (17 280 kg)*	27,558 lb* (12 500 kg)*	29,696 lb* (13 470 kg)*	19,709 lb* (8 940 kg)*	23,391 lb* (10 610 kg)*	15,102 lb* (6 850 kg)*							32 ft 1 in (9.79 m)	19,709 lb* (8 940 kg)*	13,360 lb* (6 060 kg)*	
-10 ft (-3 m)	51,698 lb* (23 450 kg)*	51,698 lb* (23 450 kg)*	44,908 lb* (20 370 kg)*	43,563 lb* (19 760 kg)*	34,833 lb* (15 800 kg)*	28,043 lb* (12 720 kg)*	27,007 lb* (12 250 kg)*	20,106 lb* (9 120 kg)*									29 ft 2 in (8.92 m)	19,070 lb* (8 650 kg)*	15,609 lb* (7 080 kg)*	
-15 ft (-4.5 m)	45,217 lb* (20 510 kg)*	45,217 lb* (20 510 kg)*	36,354 lb* (16 490 kg)*	36,354 lb* (16 490 kg)*	28,351 lb* (12 860 kg)*	28,131 lb* (12 760 kg)*	19,908 lb* (9 030 kg)*	19,908 lb* (9 030 kg)*									24 ft 11 in (7.68 m)	17,416 lb* (7 900 kg)*	17,416 lb* (7 900 kg)*	

**CX490D RTC Short – 22 ft 11 in (6.98 m) Boom and 8 ft 3 in (2.53 m) Arm, ISO capacities, includes bucket weighing 3,350 lb (1 530 kg).**

Load (Lift Point Height)	10 ft (3 m)		15 ft (4.5 m)		20 ft (6 m)		25 ft (7.5 m)		30 ft (9 m)		35 ft (10.5 m)		MAXIMUM REACH							
	END	SIDE	END	SIDE	END	SIDE	END	SIDE	END	SIDE	END	SIDE	@	END	SIDE					
+30 ft (9 m)																	27 ft 1 in (8.39 m)	17,968 lb* (8 150 kg)*	17,968 lb* (8 150 kg)*	
+25 ft (7.5 m)																		30 ft 11 in (9.48 m)	17,262 lb* (7 830 kg)*	17,130 lb* (7 770 kg)*
+20 ft (6 m)																		33 ft 4 in (10.19 m)	17,108 lb* (7 760 kg)*	14,727 lb* (6 680 kg)*
+15 ft (4.5 m)																		34 ft 9 in (10.6 m)	17,394 lb* (7 890 kg)*	13,426 lb* (6 090 kg)*
+10 ft (3 m)																		35 ft 3 in (10.75 m)	18,012 lb* (8 170 kg)*	12,831 lb* (5 820 kg)*
+5 ft (1.5 m)																		35 ft 0 in (10.67 m)	19,092 lb* (8 660 kg)*	12,787 lb* (5 800 kg)*
Groundline																		34 ft 0 in (10.36 m)	19,930 lb* (9 040 kg)*	13,316 lb* (6 040 kg)*
-5 ft (-1.5 m)	35,494 lb* (16 100 kg)*	35,494 lb* (16 100 kg)*	50,243 lb* (22 790 kg)*	46,782 lb* (21 220 kg)*	38,096 lb* (17 280 kg)*	30,005 lb* (13 610 kg)*	29,696 lb* (13 470 kg)*	21,451 lb* (9 730 kg)*	23,391 lb* (10 610 kg)*	16,446 lb* (7 460 kg)*							32 ft 1 in (9.79 m)	19,709 lb* (8 940 kg)*	14,573 lb* (6 610 kg)*	
-10 ft (-3 m)	51,698 lb* (23 450 kg)*	51,698 lb* (23 450 kg)*	44,908 lb* (20 370 kg)*	44,908 lb* (20 370 kg)*	34,833 lb* (15 800 kg)*	30,490 lb* (13 830 kg)*	27,007 lb* (12 250 kg)*	21,848 lb* (9 910 kg)*									29 ft 2 in (8.92 m)	19,070 lb* (8 650 kg)*	16,976 lb* (7 700 kg)*	
-15 ft (-4.5 m)	45,217 lb* (20 510 kg)*	45,217 lb* (20 510 kg)*	36,354 lb* (16 490 kg)*	36,354 lb* (16 490 kg)*	28,351 lb* (12 860 kg)*	28,351 lb* (12 860 kg)*	19,908 lb* (9 030 kg)*	19,908 lb* (9 030 kg)*									24 ft 11 in (7.68 m)	17,416 lb* (7 900 kg)*	17,416 lb* (7 900 kg)*	

NOTE: \*Following number indicates hydraulic capacity

**LIFT CAPACITIES**

**CX490D Long – 22 ft 11 in (6.98 m) Boom and 13 ft 1 in (4.00 m) Arm, ISO capacities, includes bucket weighing 3,000 lb (1 370 kg).**

Load (Lift Point Height)	5 ft (1.5 m)		10 ft (3 m)		15 ft (4.5 m)		20 ft (6 m)		25 ft (7.5 m)		30 ft (9 m)		35 ft (10.5 m)		40 ft (12.0 m)		MAXIMUM REACH			
	END	SIDE	END	SIDE	END	SIDE	END	SIDE	END	SIDE	END	SIDE	END	SIDE	END	SIDE	@	END	SIDE	
+30 ft (9 m)												13,955 lb* (6 330 kg)*	13,955 lb* (6 330 kg)*					32 ft 8 in (10.05 m)	10,274 lb* (4 660 kg)*	10,274 lb* (4 660 kg)*
+25 ft (7.5 m)												17,439 lb* (7 910 kg)*	17,439 lb* (7 910 kg)*	13,757 lb* (6 240 kg)*	13,757 lb* (6 240 kg)*			35 ft 9 in (10.96 m)	9,921 lb* (4 500 kg)*	9,921 lb* (4 500 kg)*
+20 ft (6 m)												18,938 lb* (8 590 kg)*	18,078 lb* (8 200 kg)*	16,976 lb* (7 700 kg)*	13,691 lb* (6 210 kg)*			37 ft 10 in (11.56 m)	9,899 lb* (4 490 kg)*	9,899 lb* (4 490 kg)*
+15 ft (4.5 m)							25,265 lb* (11 460 kg)*	25,265 lb* (11 460 kg)*	23,104 lb* (10 480 kg)*	23,104 lb* (10 480 kg)*	20,128 lb* (9 130 kg)*	17,505 lb* (7 940 kg)*	18,012 lb* (8 170 kg)*	13,272 lb* (6 020 kg)*				39 ft 1 in (11.91 m)	10,097 lb* (4 580 kg)*	10,097 lb* (4 580 kg)*
+10 ft (3 m)			34,590 lb* (15 690 kg)*	34,590 lb* (15 690 kg)*	45,680 lb* (20 720 kg)*	45,680 lb* (20 720 kg)*	32,937 lb* (14 940 kg)*	31,614 lb* (14 340 kg)*	26,147 lb* (11 860 kg)*	22,465 lb* (10 190 kg)*	22,046 lb* (10 000 kg)*	16,711 lb* (7 580 kg)*	19,136 lb* (8 680 kg)*	12,787 lb* (5 800 kg)*	11,244 lb* (5 100 kg)*	9,943 lb* (4 510 kg)*		39 ft 6 in (12.05 m)	10,494 lb* (4 760 kg)*	9,833 lb* (4 460 kg)*
+5 ft (1.5 m)			16,843 lb* (7 640 kg)*	16,843 lb* (7 640 kg)*	50,508 lb* (22 910 kg)*	46,077 lb* (20 900 kg)*	37,104 lb* (16 830 kg)*	29,829 lb* (13 530 kg)*	28,704 lb* (13 020 kg)*	21,230 lb* (9 630 kg)*	23,567 lb* (10 690 kg)*	15,939 lb* (7 230 kg)*	19,996 lb* (9 070 kg)*	12,324 lb* (5 590 kg)*				39 ft 4 in (11.91 m)	11,177 lb* (5 070 kg)*	9,744 lb* (4 420 kg)*
Groundline			23,193 lb* (10 520 kg)*	23,193 lb* (10 520 kg)*	53,175 lb* (24 120 kg)*	43,696 lb* (19 820 kg)*	39,198 lb* (17 780 kg)*	28,307 lb* (12 840 kg)*	30,203 lb* (13 700 kg)*	20,283 lb* (9 200 kg)*	24,427 lb* (11 080 kg)*	15,344 lb* (6 960 kg)*	20,305 lb* (9 210 kg)*	11,971 lb* (5 430 kg)*				38 ft 5 in (11.7 m)	12,236 lb* (5 550 kg)*	9,987 lb* (4 530 kg)*
-5 ft (-1.5 m)	22,134 lb* (10 040 kg)*	22,134 lb* (10 040 kg)*	31,416 lb* (14 250 kg)*	31,416 lb* (14 250 kg)*	53,727 lb* (24 370 kg)*	43,166 lb* (19 580 kg)*	39,220 lb* (17 790 kg)*	27,558 lb* (12 500 kg)*	30,358 lb* (13 770 kg)*	19,731 lb* (8 950 kg)*	24,405 lb* (11 070 kg)*	14,991 lb* (6 800 kg)*	19,930 lb* (9 040 kg)*	11,817 lb* (5 360 kg)*				36 ft 9 in (11.21 m)	13,801 lb* (6 260 kg)*	10,692 lb* (4 850 kg)*
-10 ft (-3 m)	32,298 lb* (14 650 kg)*	32,298 lb* (14 650 kg)*	41,447 lb* (18 800 kg)*	41,447 lb* (18 800 kg)*	51,346 lb* (23 290 kg)*	43,475 lb* (19 720 kg)*	38,096 lb* (17 280 kg)*	27,580 lb* (12 510 kg)*	29,542 lb* (13 400 kg)*	19,709 lb* (8 940 kg)*	23,413 lb* (10 620 kg)*	15,013 lb* (6 810 kg)*						34 ft 3 in (10.46 m)	16,314 lb* (7 400 kg)*	11,971 lb* (5 430 kg)*
-15 ft (-4.5 m)	41,910 lb* (19 010 kg)*	41,910 lb* (19 010 kg)*	56,019 lb* (25 410 kg)*	56,019 lb* (25 410 kg)*	46,032 lb* (20 880 kg)*	43,696 lb* (19 820 kg)*	34,767 lb* (15 770 kg)*	28,065 lb* (12 730 kg)*	26,852 lb* (12 180 kg)*	20,106 lb* (9 120 kg)*	20,150 lb* (9 140 kg)*	15,543 lb* (7 050 kg)*						30 ft 9 in (9.42 m)	17,571 lb* (7 970 kg)*	14,286 lb* (6 480 kg)*
-20 ft (-6 m)			50,023 lb* (22 690 kg)*	50,023 lb* (22 690 kg)*	37,016 lb* (16 790 kg)*	37,016 lb* (16 790 kg)*	28,087 lb* (12 740 kg)*	28,021 lb* (12 710 kg)*	20,371 lb* (9 240 kg)*	20,216 lb* (9 170 kg)*								25 ft 10 in (7.98 m)	16,645 lb* (7 550 kg)*	16,645 lb* (7 550 kg)*

**CX490D RTC Long – 22 ft 11 in (6.98 m) Boom and 13 ft 1 in (4.00 m) Arm, ISO capacities, includes bucket weighing 3,000 lb (1 370 kg).**

Load (Lift Point Height)	5 ft (1.5 m)		10 ft (3 m)		15 ft (4.5 m)		20 ft (6 m)		25 ft (7.5 m)		30 ft (9 m)		35 ft (10.5 m)		40 ft (12.0 m)		MAXIMUM REACH			
	END	SIDE	END	SIDE	END	SIDE	END	SIDE	END	SIDE	END	SIDE	END	SIDE	END	SIDE	@	END	SIDE	
+30 ft (9 m)												13,955 lb* (6 330 kg)*	13,955 lb* (6 330 kg)*					32 ft 8 in (10.05 m)	10,274 lb* (4 660 kg)*	10,274 lb* (4 660 kg)*
+25 ft (7.5 m)												17,439 lb* (7 910 kg)*	17,439 lb* (7 910 kg)*	13,757 lb* (6 240 kg)*	13,757 lb* (6 240 kg)*			35 ft 9 in (10.96 m)	9,921 lb* (4 500 kg)*	9,921 lb* (4 500 kg)*
+20 ft (6 m)												18,938 lb* (8 590 kg)*	18,938 lb* (8 590 kg)*	16,976 lb* (7 700 kg)*	14,793 lb* (6 710 kg)*			37 ft 10 in (11.56 m)	9,899 lb* (4 490 kg)*	9,899 lb* (4 490 kg)*
+15 ft (4.5 m)							25,265 lb* (11 460 kg)*	25,265 lb* (11 460 kg)*	23,104 lb* (10 480 kg)*	23,104 lb* (10 480 kg)*	20,128 lb* (9 130 kg)*	18,872 lb* (8 560 kg)*	18,012 lb* (8 170 kg)*	14,374 lb* (6 520 kg)*				39 ft 1 in (11.91 m)	10,097 lb* (4 580 kg)*	10,097 lb* (4 580 kg)*
+10 ft (3 m)			34,590 lb* (15 690 kg)*	34,590 lb* (15 690 kg)*	45,680 lb* (20 720 kg)*	45,680 lb* (20 720 kg)*	32,937 lb* (14 940 kg)*	32,937 lb* (14 940 kg)*	26,147 lb* (11 860 kg)*	24,251 lb* (11 000 kg)*	22,046 lb* (10 000 kg)*	18,078 lb* (8 200 kg)*	19,136 lb* (8 680 kg)*	13,911 lb* (6 310 kg)*	11,244 lb* (5 100 kg)*	10,869 lb* (4 930 kg)*		39 ft 6 in (12.05 m)	10,494 lb* (4 760 kg)*	10,494 lb* (4 760 kg)*
+5 ft (1.5 m)			16,843 lb* (7 640 kg)*	16,843 lb* (7 640 kg)*	50,508 lb* (22 910 kg)*	50,111 lb* (22 730 kg)*	37,104 lb* (16 830 kg)*	32,320 lb* (14 660 kg)*	28,704 lb* (13 020 kg)*	23,016 lb* (10 440 kg)*	23,567 lb* (10 690 kg)*	17,306 lb* (7 850 kg)*	19,996 lb* (9 070 kg)*	13,448 lb* (6 100 kg)*				39 ft 4 in (11.98 m)	11,177 lb* (5 070 kg)*	10,670 lb* (4 840 kg)*
Groundline			23,193 lb* (10 520 kg)*	23,193 lb* (10 520 kg)*	53,175 lb* (24 120 kg)*	47,708 lb* (21 640 kg)*	39,198 lb* (17 780 kg)*	30,776 lb* (13 960 kg)*	30,203 lb* (13 700 kg)*	22,046 lb* (10 000 kg)*	24,427 lb* (11 080 kg)*	16,689 lb* (7 570 kg)*	20,305 lb* (9 210 kg)*	13,073 lb* (5 930 kg)*				38 ft 5 in (11.7 m)	12,236 lb* (5 550 kg)*	10,957 lb* (4 970 kg)*
-5 ft (-1.5 m)	22,134 lb* (10 040 kg)*	22,134 lb* (10 040 kg)*	31,416 lb* (14 250 kg)*	31,416 lb* (14 250 kg)*	53,727 lb* (24 370 kg)*	46,936 lb* (21 290 kg)*	39,220 lb* (17 790 kg)*	30,005 lb* (13 610 kg)*	30,358 lb* (13 770 kg)*	21,473 lb* (9 740 kg)*	24,405 lb* (11 070 kg)*	16,336 lb* (7 410 kg)*	19,930 lb* (9 040 kg)*	12,919 lb* (5 860 kg)*				36 ft 9 in (11.21 m)	13,801 lb* (6 260 kg)*	11,707 lb* (5 310 kg)*
-10 ft (-3 m)	32,298 lb* (14 650 kg)*	32,298 lb* (14 650 kg)*	41,447 lb* (18 800 kg)*	41,447 lb* (18 800 kg)*	51,346 lb* (23 290 kg)*	47,510 lb* (21 550 kg)*	38,096 lb* (17 280 kg)*	30,027 lb* (13 620 kg)*	29,542 lb* (13 400 kg)*	21,451 lb* (9 730 kg)*	23,413 lb* (10 620 kg)*	16,380 lb* (7 430 kg)*						34 ft 3 in (10.46 m)	16,314 lb* (7 400 kg)*	13,095 lb* (5 940 kg)*
-15 ft (-4.5 m)	41,910 lb* (19 010 kg)*	41,910 lb* (19 010 kg)*	56,019 lb* (25 410 kg)*	56,019 lb* (25 410 kg)*	46,032 lb* (20 880 kg)*	46,032 lb* (20 880 kg)*	34,767 lb* (15 770 kg)*	30,512 lb* (13 840 kg)*	26,852 lb* (12 180 kg)*	21,848 lb* (9 910 kg)*	20,150 lb* (9 140 kg)*	16,865 lb* (7 650 kg)*						30 ft 9 in (9.42 m)	17,571 lb* (7 970 kg)*	15,565 lb* (7 060 kg)*
-20 ft (-6 m)			50,023 lb* (22 690 kg)*	50,023 lb* (22 690 kg)*	37,016 lb* (16 790 kg)*	37,016 lb* (16 790 kg)*	28,087 lb* (12 740 kg)*	28,087 lb* (12 740 kg)*	20,371 lb* (9 240 kg)*	20,371 lb* (9 240 kg)*								25 ft 10 in (7.98 m)	16,645 lb* (7 550 kg)*	16,645 lb* (7 550 kg)*

NOTE: \*Following number indicates hydraulic capacity