



ENGINE

Make	Kubota D1803
Emissions Certification	Tier 4 Final
Type	Diesel
Cylinders	3
Bore/Stroke	3.46 x 3.54 in (88 x 90 mm)
Displacement	111 in ³ (1 826 cm ³)
Fuel	#2 Diesel
Cooling	Liquid
Rated engine speeds	2100/2400 RPM
Horsepower @ 2400 RPM:	
Gross	33.5 hp (25 kW)
Maximum Engine Torque @ 1500 RPM:	
	85.4 lb ft (115.8 Nm)

DRIVETRAIN

Drive	Hydrostatic
Max. working speed	3.7 mph (6.0 kph)
Max. travel speed	6.8 mph (11 kph)
Service brake	Hydrostatic
Parking brake	SAHR
Emergency brake	SAHR
Drum drive	Front and rear
Drive pump motors:	
Variable displacement	1
Fixed displacement	2
Max. relief pressure	5,221 psi (36 MPa)
Gradeability (vibration off)	30% (30%)

ELECTRICAL

Voltage	12 Volts
Battery	1 x 12 Volt
Battery reserve capacity	77 Ah/20 hour
Cold cranking amps	760 CCA

OPERATOR ENVIRONMENT

Insulated from chassis by flexible shock absorbers; Handrail; Instrument panel; Anti-vandal guard; Lateral sliding seat; Foldable ROPS protection; Electronic single lever speed and direction control with integrated RPM setting, parking brake, vibration, drum sprinkling, edge cutting activation (up/down).

OPERATING WEIGHT

Operating weight	5,490 lb (2 490 kg)
Max. weight	5,970 lb (2 710 kg)
Front static linear load	22.7 lb/in (10.3 kg/cm)

SERVICE CAPACITIES

Fuel tank	9.2 gal (35 L)
Engine oil	7.4 qt (7 L)
Cooling system	7.1 qt (6.7 L)
Hydraulic system – reservoir	7.5 gal (28.5 L)
Water tank	50.2 gal (190 L)

OTHER SPECIFICATIONS

Steering:	
Type	Oscillation/Articulated
Method	Hydrostatic
Pump type	Gear
Steering angle – left and right	30°
Oscillation angle +/-	6.5°
Inside turning radius	100 in (2 540 mm)
Outside turning radius	153.9 in (3 910 mm)

Vibration:	
System design	Series
Pump type	Gear
Drum vibration	Front and rear
Frequency:	
Low	3,480 vpm (58 Hz)
High	3,960 vpm (66 Hz)
Number of amplitudes	1
Amplitude	0.02 in (0.53 mm)
Centrifugal force – each drum:	
	10,566 lb (47 kN)

STANDARD EQUIPMENT

OTHER

Foldable ROPS
Anti-vandal guard
Hydrostatic drive for both drums
Articulated chassis
Hydraulic oil cooler
Backup alarm
Tapered drum edges
Vulcollon scrapers – adjustable
Master disconnect switch
Horn
Hourmeter

4-point lift and tie down provision
Flip open hood
Spin-on fuel, engine oil, and hydraulic filters
Steering wheel spinner knob

OPERATOR ENVIRONMENT

Lateral shifting suspension seat w/ foldable arms
3 in (76.2 mm) retractable seat belt
Emergency stop button
Electric fuse protection
Drive lever with vibration and water switch

INDICATOR LIGHTS

Battery
Engine oil pressure
Intake preheater
Engine temperature
Parking brake on/off
Hydraulic oil temperature
Low fuel indicator
Worklight indicator
Turn signal indicator
Fuel gauge
Operator hours

WATER SYSTEM

Pressurized water system
2-stage water filtration
Water system drains
50.2 gal (190 L) Polyethylene water tank

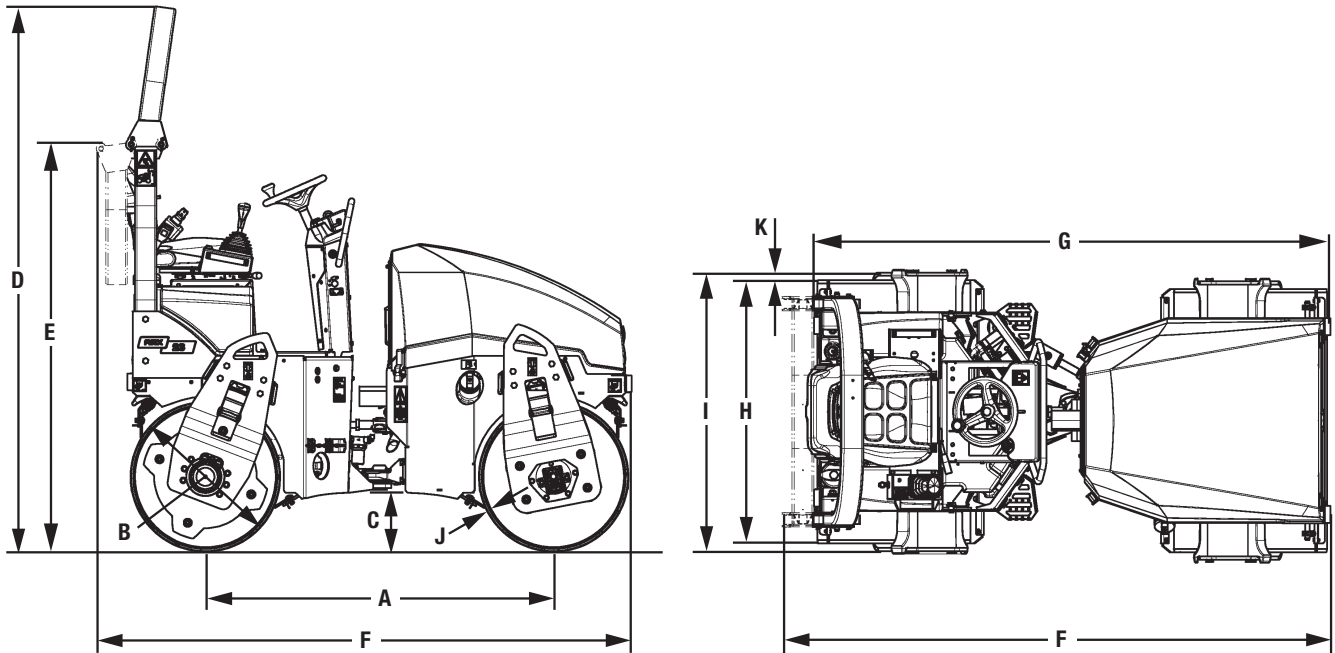
VIBRATION SYSTEM

Dual drum vibration
Dual frequency vibration
Front/Dual drum vibration control
Auto vibration stop in neutral

OPTIONAL EQUIPMENT

OTHER

Rotating beacon
Weather canopy
Steel canopy
2 in (51 mm) retractable seat belt
Tiltable drum scraper
Infrared thermometer
Edge cutter
2 Front and 1 Rear road light, turn signals and flashers
Traction assist
2 lights on ROPS (N/A on Weather Canopy)
Arm rests on seat
Right & Left Side drive levers
Heated seat
ACE Force Intelligent compaction
Locking water tank cap



Line drawings are for illustrative purpose only and may not be exact representation of unit.

DIMENSIONS

A. Wheelbase	68.5 in (1 740 mm)
B. Drum diameter	27.4 in (695 mm)
C. Ground clearance	11.0 in (280 mm)
D. Overall height	100.4 in (2 550 mm)
E. Folded ROPS height	76.2 in (1 935 mm)
F. Overall length - ROPS down	101.8 in (2 585 mm)
G. Overall length - ROPS up	98.4 in (2 500 mm)
H. Drum width	47.2 in (1 200 mm)
I. Overall width	53.1 in (1 350 mm)
J. Drum thickness	0.5 in (13 mm)
K. Drum offset	1.6 in (40 mm)

CaseCE.com

©2020 CNH Industrial America LLC. All rights reserved. CASE is a trademark registered in the United States and many other countries, owned by or licensed to CNH Industrial N.V., its subsidiaries or affiliates. CNH Industrial Capital is a trademark in the United States and many other countries, owned by or licensed to CNH Industrial N.V., its subsidiaries or affiliates. Printed in U.S.A. Contains 10% post-consumer fiber.

IMPORTANT: CASE Construction Equipment Inc. reserves the right to change these specifications without notice and without incurring any obligation relating to such change. Availability of some models and equipment builds vary according to the country in which the equipment is used. The illustrations and text may include optional equipment and accessories and may not include all standard equipment. Your CASE dealer/distributor will be able to give you details of the products and their specifications available in your area.



CASE Construction Equipment is biodiesel-friendly. NOTE: All engines meet current EPA emissions regulations. All specifications are stated in accordance with SAE Standards or Recommended Practices, where applicable.



Always read the Operator's Manual before operating any equipment. Inspect equipment before using it, and be sure it is operating properly. Follow the product safety signs and use any safety features provided.

Form No. CCE202003DV26E
Replaces Form No. CCE202002DV26E

DV26E

2 of 2