

FARMALL JX

FARMALL JX

TRACTORS 75-110HP



CASE IH

CASE IH

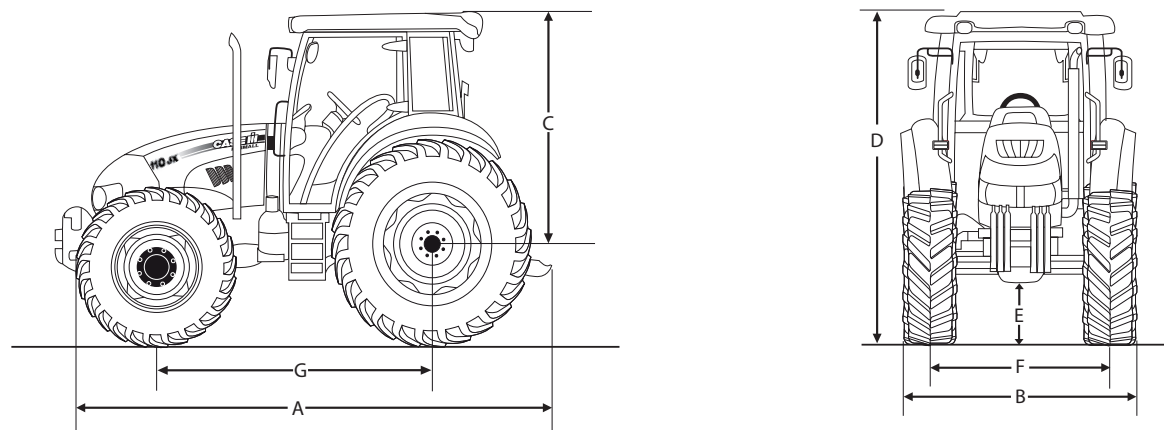
FARMALL JX SERIES TRACTOR SPECIFICATIONS

TRACTOR MODELS	75JX	90JX	100JX	110JX
ENGINE AND TRANSMISSION				
Type*	S8000			
No. of cylinders / aspiration / valves	4 / TI / 2			
Emission level	Tier 3			
Capacity (cm3)	3908			
Rated horsepower - ISO TR14396 - ECER120 (kW/hp)	56/75	66/88	73/98	81/110
Rated engine speed (rpm)	2300			
Max. torque - ISO TR14396 (Nm)	298@1400	356@1400	390@1400	430@1400
Fuel tank capacity (l)	110			
12x12 Synchro Shuttle™ transmission (30 kph)	○	•	•	•
Minimum speed (kph)	1.82	1.76	1.86	1.79
12x12 Hydraulic Powershuttle transmission (30 kph)	-	○	○	○
Minimum speed (kph)	1.82	1.82	1.86	1.79
20x12 Synchro Shuttle™ transmission (Optional Creeper)	□	□	○	○
Minimum speed with Creeper (kph)	0.33	0.32	0.34	0.32
AXLES				
4WD front axle	•			
Steering angle 4WD	45 degrees			
HYDRAULICS				
Main pump flow (l/min)	40.1 or 51.7 or 63			
Steering pump flow (l/min)	29.6			
Front Loader**	○			
Fast Raise / Lower system	•			
Mechanical Draft Control (MDC)	•			
REMOTE VALVES				
Max. no. rear remotes	3			
Two mid mount valves	○			
Mid mount joystick control	○			
LINKAGE				
Max. lift capacity at ball ends - less assist ram (kg)	3565			
Max. lift capacity at ball ends (with extra ram) (kg)	-	4700		
Max. lift capacity - 610 mm behind ball ends - less assist ram (kg)	2700			
Max. lift capacity - 610 mm behind ball ends - with assist ram (kg)	-	3450		
PTO				
Ground speed	•			
540	•			
540/540E	○			
540/1000	○			

* Developed by FPT Industrial ** Complete loader with choice between standard or self leveling. 2x mid mount valves with rapid coupler. Loader joystick integrated in RH operator console / • Standard ○ Optional - Not available

FARMALL JX SERIES TRACTOR SPECIFICATIONS

TRACTOR MODELS	75JX	90JX	100JX	110JX
OPERATOR ENVIRONMENT				
High visibility roof panel (optional with Loader)			Optional	
Deluxe seat with air suspension and seat belt			Optional	
Instructor seat with seat belt			Optional	
Tiltable steering column			Standard	
Air conditioning (CAB only)			Optional	
Radio ready or radio equipped (CAB only)			Optional	




FARMALL JX SERIES TRACTOR SPECIFICATIONS

TRACTOR MODELS	75JX	90JX	100JX	110JX
DIMENSIONS AND WEIGHTS				
Dimensions on rear tyres*	16.9R34	16.9R34	18.4R34	16.9R38
A Overall length inc. front support to rear linkage (mm)	3998	4044	4115	4115
B Min. width with standard fender (mm)	1910	1910	1910	1910
C Height from rear axle to top of the CAB/ROPS (mm)	1891/2006	1891/2006	1891/2006	1891/2006
D Min. overall height CAB/ROPS (mm)	2604/2719	2604/2719	2631/2746	2657/2772
E Ground clearance:	-	-	-	-
under front axle minimum (mm)	425	425	465	465
under rear drawbar/ hitch minimum (mm)	450	450	470	500
F Track width (min./max.) (mm)	1500/2000	1500/2000	1600/2000	1600/2000
G Wheelbase (mm)	2402	2402	2422	2422
Min. weight ROPS 4WD without ballast (kg)	3450	3450	3650	3650
Min. weight CAB 4WD without ballast (kg)	3600	3700	3900	3900

** Rear Tyres other than those mentioned are available: 480/70R30, 420/70R30, 16.9 R30, 18.4R30, 480/70R34, 12.4R36, 16.9 R34, 18.4 R34, 13.6R36, 13.6R38, 16.9 R



CNH Industrial Asia, Middle East & Africa, Riva Paradiso, 14 - 6902 Paradiso-Lugano Switzerland

 Safety never hurts! Always read the Operator's Manual before working with any equipment. Inspect equipment before using it, and be sure it is operating properly. Follow the product safety signs, and use any safety features provided. This literature has been published for worldwide circulation. The standard and optional equipment and the availability of individual models may vary from one country to the next. Case IH reserves the right to undertake modifications without prior notice to the design and technical equipment at all times without this resulting in any obligation whatsoever to make such modifications to units already sold. Whilst every effort is made to ensure that the specifications, descriptions and illustrations in this brochure are correct at the time of going to press, these are also subject to change without prior notice. Illustrations may show optional equipment or may not show all standard equipment. Case IH recommends **AKCELA** lubricants. 24MEACOMFARJX001

CASE IH