



CASE
CONSTRUCTION

THE NEW **770EX** SERIES — BACKHOE LOADER —

PERFORMANCE UNLEASHED



4000 HOUR
HYDRAULIC OIL
CHANGE INTERVAL



22
NEW
FEATURES

REDEFINING EXCELLENCE

MAIN REASONS TO CHOOSE EX SERIES



A LEGACY OF HIGH PERFORMANCE

- 180 year legacy of delivering breakthrough technology
- CEV Stage IV H4C electronic engine
- Better fuel efficiency with working modes & internal EGR technology
- Robust structure and hassle-free maintenance



COMFORTABLE OPERATOR STATION

- Spacious cabin with near 360° visibility for higher productivity
- Electronic throttle knob, 12V power socket, electrical side shift lock
- Large split buddy seat with lockable storage space, can now easily seat 3 helpers



ENHANCED SAFETY

- Audio visual warning system with up to 25 warning signals
- Engine protection shutdown for low downtime & low repair costs
- New cutoff switch in secured & dust free battery compartment



CASE DNA "S'TYLED BACKHOE"

- S'tyled boom for better reach on ground as well as on high body trucks
- With flexible dipper options (14ft, 15ft & Extendahoe) get best-in-class dig depth
- Better transport height & work visibility



LOADER PRODUCTIVITY

- Improved FNR location supports fast directional change, improving maneuverability & productivity
- Improved fill factor with spill proof bucket
- More than 35 attachment options for added versatility



STRAIGHT LOADER ARM

- Offers better work visibility, tipping & loading height
- Ease of serviceability with lesser pins, bushes & thereby less daily maintenance time



CONNECTED MACHINE

- CASE "SiteWatch" Telematics as standard offering
- **Fleet Management** - Enhanced productivity by efficient resource allocation
- **Asset Tracking & Recovery** - Improved Safety
- **Maintenance & Downtime reduction** - Enhanced Customer service
- **Data Driven decision making** - Improved profitability



LOADER BUCKET OPTIONS

- 1.0m³ BDB (Bottom Dump Bucket)
- 1.1m³ HDB (4m High Dump Bucket)



BETTER RELIABILITY

- Reinforced robotically welded structures, sturdy axle, pins & bushes
- Proven transmission & high pressure common rail system
- Protected hoses for less breakdown and high reliability



BACKHOE PRODUCTIVITY WITH VERSATILITY

- With new Variable Displacement Pump*, optimum cycle time and high productivity
- Standard lifting hook for material handling like pipe laying, towing etc.
- 2 inch increase in swing frame height (ground clearance) for better maneuverability & loader productivity
- More than 25 attachment options for added versatility
- Bucket options from 0.08 to 0.30 m³



IMPROVED FUEL EFFICIENCY

- Up to 14% better fuel efficiency with the advanced hydraulic system -load sensing Variable Displacement Pump*
- New ECO Mode, Auto Idle and Auto Shutdown features ensure fuel savings up to 20%*



EXCELLENT DESIGN

- Sloping & lockable engine hood for better worksite visibility
- Easy accessibility to all major components means lower maintenance time
- Secured engine compartment with lockable hood



- ROPS/ FOPS cabin
- Trapezoidal cabin
- Better Interiors
- Larger Cabin light
- Ergonomic RPM control
- Door Gas struts
- New CED paint coating
- New FNR lever
- FM radio on headliner
- New Latches & locks
- +20% cabin storage
- Split helper seat
- Larger steering wheel
- Improved backhoe lever
- "SiteWatch" Telematics
- Rear quarter window
- Internal Rear view mirror
- Comfortable loader lever
- Comfortable parking brake
- Improved knee clearances
- Repositioned rear work lamps
- Horn integrated backhoe lever

MODEL	770EX	770EX Plus
ENGINE		
Brand	Ashok Leyland	
Model	H4C4E7422*W	
Cylinders	4	
Displacement (L)	3.84	
Air intake	Turbocharged Intercooled	
Fuel injection	Electronic, Common Rail Direct Injection	
Emission level	Tier 4B/ CEV BS-IV (India)	
Max. gross power (kW/hp) @2200 rpm (ISO 14396)	54.4/ 74	
Max. gross torque (Nm) @1400 - 1500 rpm (ISO 14396)	340	
After treatment	DOC Only	
LOADER GENERAL DIMENSIONS		
A - Dump height (m)	2.73	
B - Load over height (m)	3.3	
C - Hinge pin height (m)	3.60	
D - Hinge pin forward reach (m)	0.24	
E - Reach at ground (m)	1.98	
F - Max. reach at full height (m)	1.19 (2WD), 1.15 (4WD)	
G - Max. reach at full height-bucket dumped (m)	0.76	
H - Below ground level-dig depth (m)	0.11	
I - Rollback at ground (degree)	33	
J - Dump angle (degree)	45	
Bucket capacity std. (m³)	1.1	
Bucket breakout force (kgf/ kN)	5805/ 56.9	6250/ 61.29
Loader arm breakout force (kgf/ kN)	4750/ 46.6	5115/ 50.2
Max. pay load (kg)	1925	1925
Max. lifting capacity @ max height	3515	3700
BACKHOE GENERAL DIMENSIONS		
Dipper Configuration	14ft (4.3m)	15ft (4.6m)
K - Max. dig depth (m)	4.40	4.70
L - Reach ground level to swing center (m)	5.625	5.895
M - Reach-ground level to rear wheel center (m)	6.95	7.22
N - Reach at full height to slew center (m)	2.15	2.40
O - Max. working height (m)	5.5	5.7
P - Max. load over height (m)	3.8	
Bucket capacity (m³)	0.26	0.30
Q - Bucket rotation (degree)	204	
Bucket breakout force (kgf/ kN)	5206/ 51.0	5616/ 55.1
Dipper tear out force (kgf/ kN)	3031/ 29.72	3780/37.1
Max. lift capacity (kg)	1464	1545
Safe working load (kg) @3.2m radius	1150	1400
OVERALL DIMENSIONS AND WEIGHTS		
Max operating weight (kg)	7780 (Std+2WD) 7840 (Std+4WD) 7975 (BDB+4WD)	7955 (Std+2WD) 8015 (Std+4WD) 8150 (BDB+4WD)
Transport length (m)	5.88	5.96
R - Width over stabilizer (m)	2.27	
S - Width over bucket (m)	2.27	
Track width - Rear (m)	1.70	
Track width - Front (m)	2WD - 1.88/ 4WD - 1.90	
T - Wheelbase (m)	2.18	
U - Minimum ground clearance (m)	0.38	
V - Height to top of cabin (m)	2.80	
W - Overall transport height (m)	3.85	
ELECTRICAL SYSTEM		
Battery	12 volts, 110 Ah	

ROPS - Rollover Protection Structure
 FOPS - Falling Object Protection Structure
 ROPS FOPS - Self-Certified

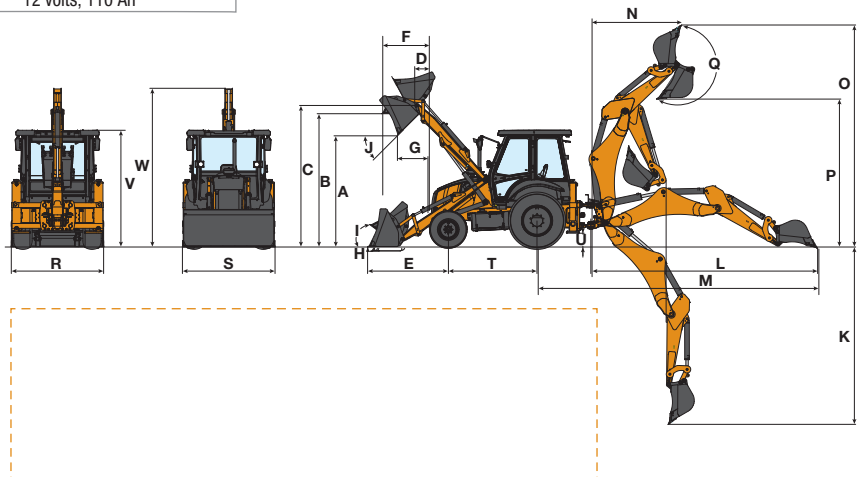
*T&C apply

CIN: U29240DL1998PTC344616

CASE NEW HOLLAND CONSTRUCTION EQUIPMENT (INDIA) PRIVATE LIMITED

Level-4, Rectangle-1, D-4, District Center, Commercial Complex, Saket, New Delhi - 110017
 Contact No.: 011-66544151
 Email: caseindia@cnhind.com

CaseCE.com 1800 4199 770



HYDRAULIC SYSTEM		
System type	Open Center Load Sensing	
Hydraulic type	Twin Gear Pump	Variable Displacement
Pump flow (lpm)	126	146
System relief pressure (bar)	195	210
SERVICE CAPACITIES		
Engine oil (L) - System	9.1	
Front axle - 4WD (L)	8.9	
Rear axle (L)	17.1	
Hydraulic oil (L) - System	107	
Hydraulic oil (L) - Replacement/Interval*	80 @ 4000 hrs	
Transmission oil capacity (L) - system	18-2WD, 20-4WD	
Fuel tank (L)	129	
Coolant (L)	20	
DRIVETRAIN		
Power train type	4F-4R Power Shuttle Synchronesh Transmission	
Transmission make and model	CARRARO 2WD/4WD TLB1	
AXLE		
Rear	CARRARO 28.32M	
Front	CNH PS1300 (2WD) CARARRO/NH 26.17M (4WD)	
Front axle oscillation (degree)	±21 (2WD) ±16 (4WD)	
STEERING		
Type	Power Steering	
System pressure (bar)	140	
Pump displacement (cc)	125	
Turning circle diameter outside bucket - Braked (m)	9.2 (2WD), 9.8 (4WD)	
Turning circle diameter outside bucket - Not braked (m)	11.1 (2WD), 11.2 (4WD)	
BRAKES		
Service	Hydraulic foot operated, 2 disc per side	
Parking	Mechanically actuated caliper type brake pack on rear axle input shaft	
TYRE		
HD tyre - Front - Optional	12.5x18 -12PR	
HD tyre - Rear - Optional	14x25 -20PR/12PR	
Standard tyre - Front	9x16 -16PR	
Standard tyre - Rear	16.9x28 -12PR	
TRAVEL SPEED		
Forward (1st/2nd/3rd/4th) (kmph)	EX : 5.8/9.3/19.5/34.1 EX+ : 5.8/9.3/19.5/35.0	
Reverse (1st/2nd/3rd/4th) (kmph)	EX/ EX+ : 6.8/10.8/22.1/NR	
OPTIONAL EQUIPMENT		
Drive	4WD	
Loader bucket	Bottom Dump Bucket & High Dump Bucket	
Dipper	Extendahoe - extends by 1.0m	
Dipper option	14ft (4.3 m) & 15ft (4.6 m)	
Rock Breaker Kit	Yes	

NOTE: Standard and optional fittings can vary according to the demands and specific regulations of each country. The illustrations may include optional rather than standard fittings - consult your CASE dealer. Furthermore, CNH Industrial reserves the right to modify machine specifications without incurring any obligation relating to such changes.
 DISCLAIMER: ±2.5% variation on parameters may occur and is acceptable by the industry norms.